

CVER/CNER SERIES RECESSED MOUNT EDGE-LIT LED EXIT SIGN

INSTALLATION INSTRUCTIONS

IMPORTANT SAFEGUARDS

- 1. READ AND FOLLOW ALL SAFETY INSTRUCTIONS.**
2. Review the diagrams thoroughly before beginning. Service of this equipment should be performed by qualified personnel.
3. All electrical connections must be in accordance with local codes, ordinances, and the National Electric Code. If you are unfamiliar with methods of installing electrical wiring, secure the services of a qualified electrician.
4. Before starting the installation, disconnect the power by turning off the circuit breaker or by removing the appropriate fuse at the fuse box. Turning the power off using the light switch is not sufficient to prevent electrical shock.
5. Do not use outdoors.
6. Do not let power supply cords touch hot surfaces.
7. Do not mount near gas or electric heaters.
8. Use caution when servicing batteries. Battery acid can cause burns to skin and eyes. If acid is spilled on skin or in eyes, flush acid with fresh water and contact a physician immediately.
9. Equipment should be mounted in location and at heights where it will not readily be subject to tampering by unauthorized personnel.
10. The use of accessory equipment not recommended by the manufacturer may cause an unsafe condition.
11. Do not use this equipment for other than intended use.
12. All servicing should be performed by qualified personnel only.
13. Allow battery to charge for 24 hours before first use.

SAVE THESE INSTRUCTIONS

UNPACK THE FIXTURE

Check the contents of the box. You should receive:

- 1 – METAL HOUSING
- 1 – PARTS BAG
- 1 – EDGE-LIT PANEL AND TRIM PLATE ASSEMBLY WITH CIRCUIT BOARDS

NOTE: First turn off electricity.

Recessed Mounting

1. Refer to Assembly drawing (Fig. 1) before starting installation.
2. Position Metal Housing and bar hangers between joists. Make sure bar hangers in the correct position to be hanged. Position Metal Housing temporarily by hammering "nail-in" tabs on bar hangers, then secure permanently with nails. Hanger bars should be level with bottom of joists. (Fig. 2)
3. Adjust height of metal housing vertically using Adjusting slots and then tightening all screws on adjusting slots and bar hanger bracket to secure adjusting bracket and bar hangers. (Fig. 3)
4. Make proper electrical connections at J-Box in the Metal Box or at junction box in the ceiling of the building. (Fig.4) If using 120VAC, connect the black and white leads to the building utility. If using 277VAC, connect the orange and white leads to the building utility. Cap off unused wire. In all cases, use standard wire nuts in connection to leads. (See Fig.5)
5. Determine direction for chevron placement. Peel adhesive chevron/arrow from backing liner and carefully place into the marked position on the template. Firmly press chevron corners and edges. Then, peel template off, leaving the chevrons in place. (See Fig. 6)
6. Connect male terminal on the transformer to main circuit board on the Edge-lit panel and Trim plate assembly. You may use holding wire during wiring (See Fig. 7)
7. Secure trim plate using provided screws. (See Fig. 8)



Hubbell Lighting, Inc.

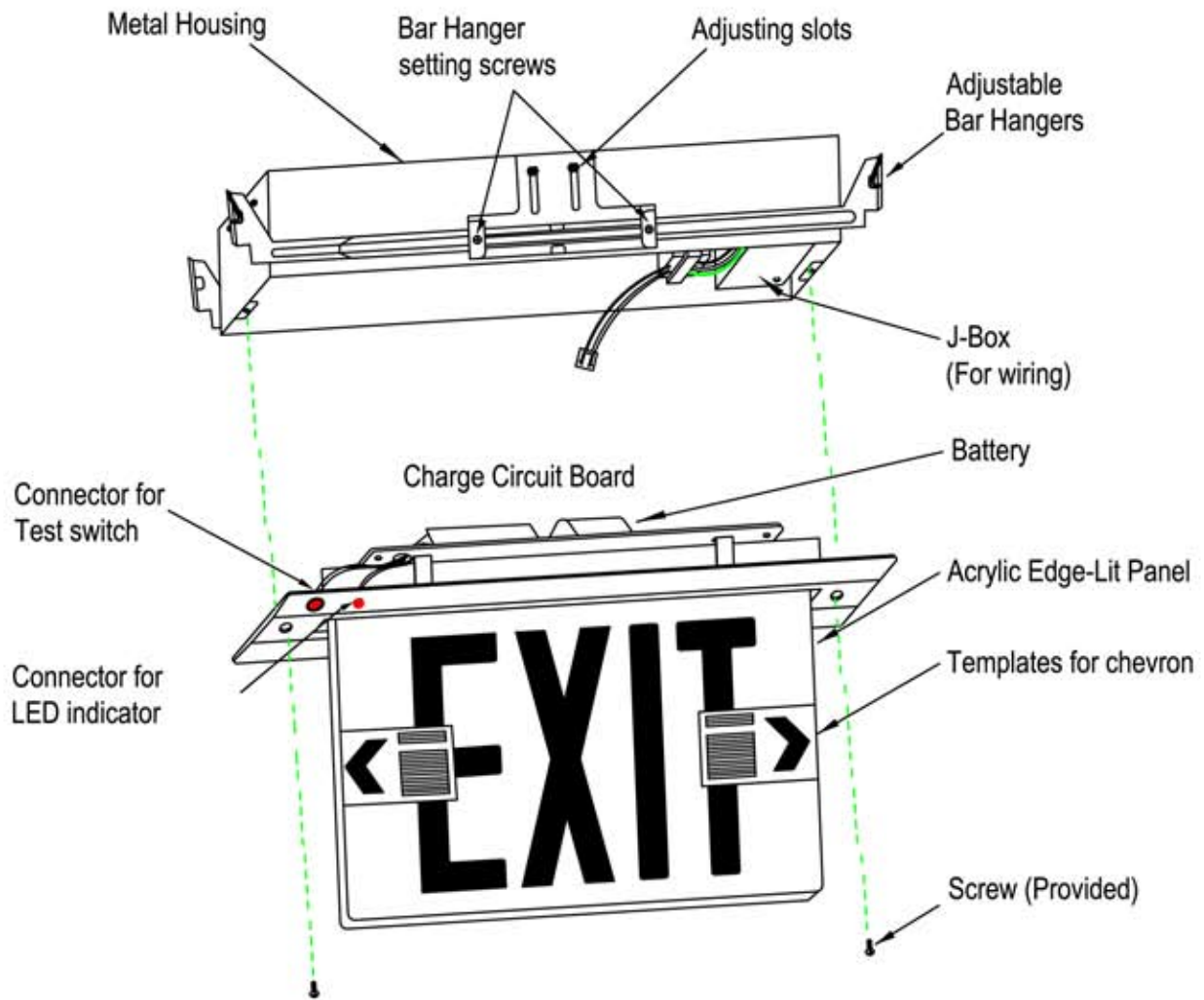


Fig. 1

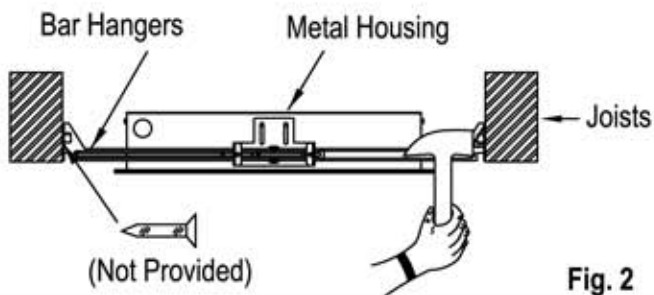


Fig. 2

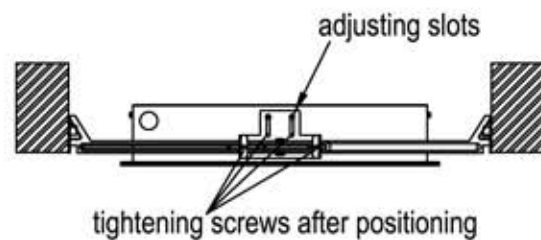


Fig. 3

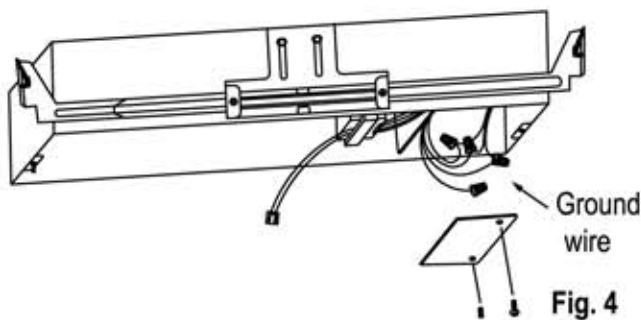


Fig. 4

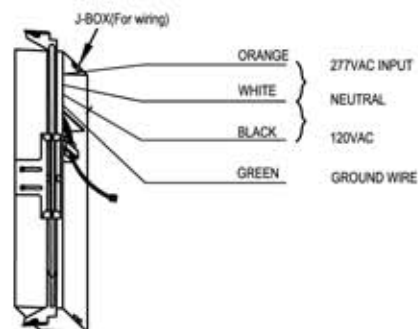


Fig. 5

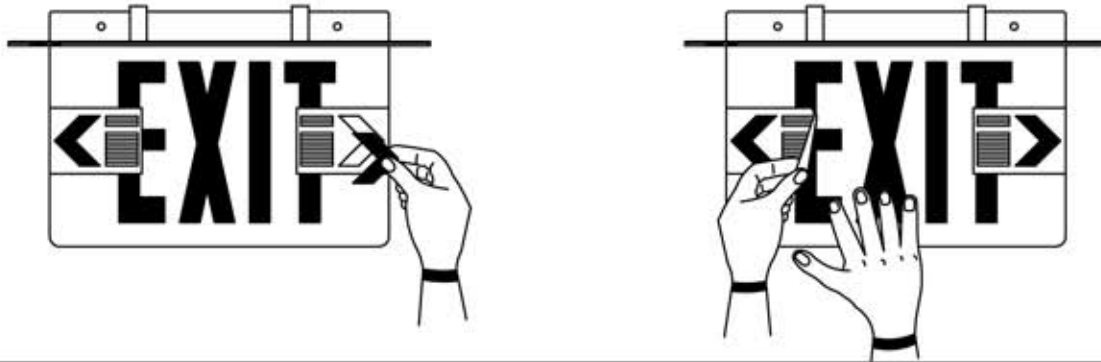


Fig. 6

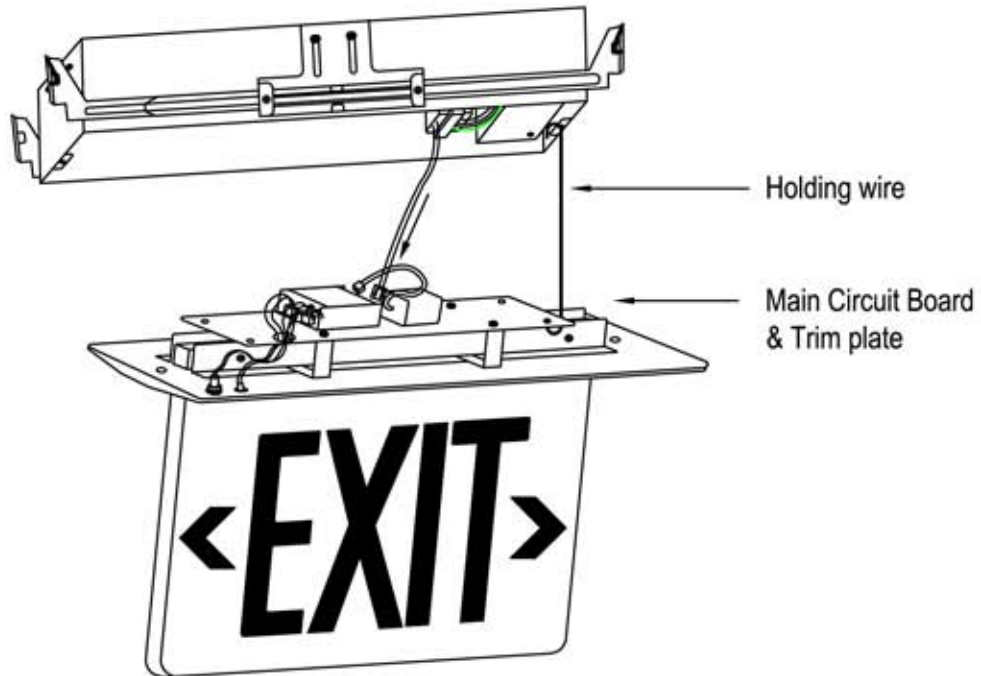


Fig. 7



Fig. 8