

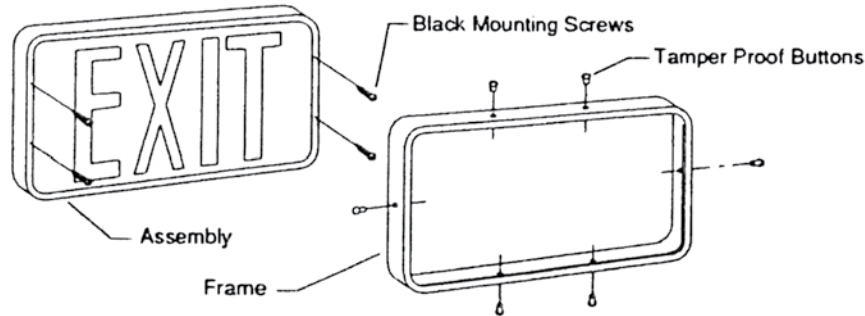


INSTALLATION

Methods of mounting available for both single and double face units.

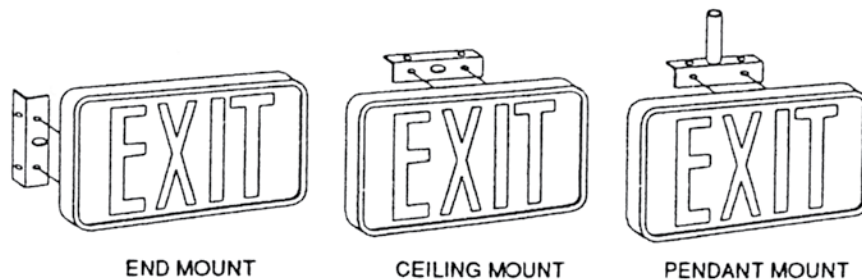
Flush to wall, single face mounting

1. The sign has four (4) mounting holes which are covered by the outer frame.
 - 1a. Remove the frame from the assembly, select the mounting holes which best suit your application and using the black drywall screws provided, fix the unit to the wall.
 - 1b. Replace the frame and insert the six tamper proof buttons.



End, ceiling or pendant, single face mounting

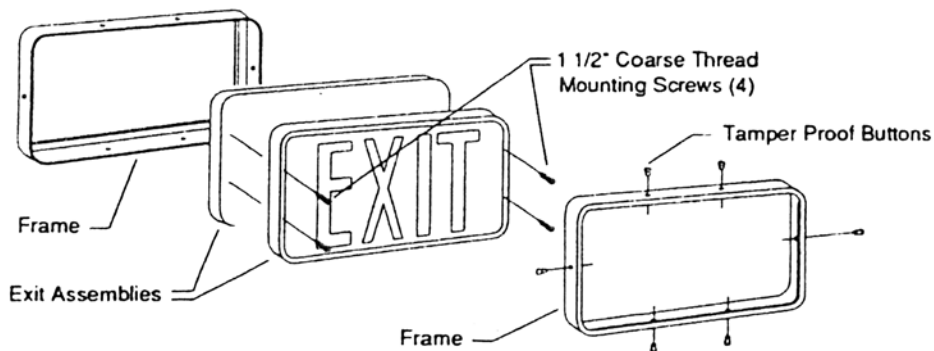
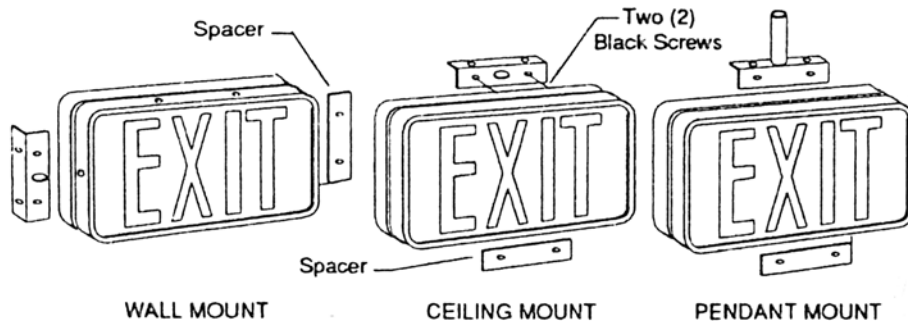
1. The bracket provided can be used in several optional positions to allow mounting of the assembly from either end, (to stand off the wall), or top, (ceiling mount hanging down), as illustrated.
 - 1a. Assemble the two (2) 5/8" self-tapping screws provided, through the bracket and matching unit holes, into plastic housing and tighten.
 - 1b. Use the remaining two bracket holes and 1 1/2" coarse thread screws to mount the unit to the surface chosen.
2. For pendant mount, assemble bracket as above for ceiling mount, keeping large hole in bracket exposed.
 - 2a. Use large hole to run pendant tubing through. Double nutting, as illustrated, is recommended for stability.



INSTALLATION
(Continued)

Ceiling, wall or pendant, double face mounting

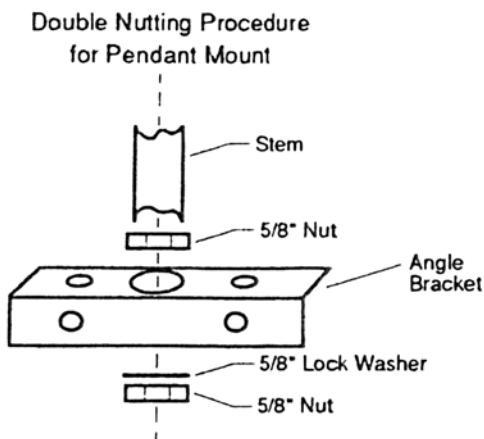
1. Mount bracket to chosen surface, using the two (2) black screws.
- 1a. Remove frame surrounds from two assemblies, attach assemblies back to back, inserting spacer between them as shown, and secure using two (2) of the four (4) 1 1/2" coarse threaded screws provided.
- 1b. Locate new, double assembly with the previously mounted bracket, as a sandwich, and run the last two screws through the assembly, as shown. Check unit for squareness to wall before tightening last two (2) screws.
- 1c. Replace both frames and insert all accessible tamper proof buttons.



Pendant mounting

1. Same as above except check parallelism to ceiling before final tightening of screws. With pendant mount, use double nut assembly as shown to connect pendant to bracket and continue as above for ceiling mount.

Note: Do Not over tighten those screws which do not pass through the spacer or bracket as this may warp the assembly.



Hubbell Lighting, Inc. Life Safety Products • www.dual-lite.com

Copyright© Hubbell Lighting, Inc., All Rights Reserved • Specifications subject to change without notice. • Printed in U.S.A.