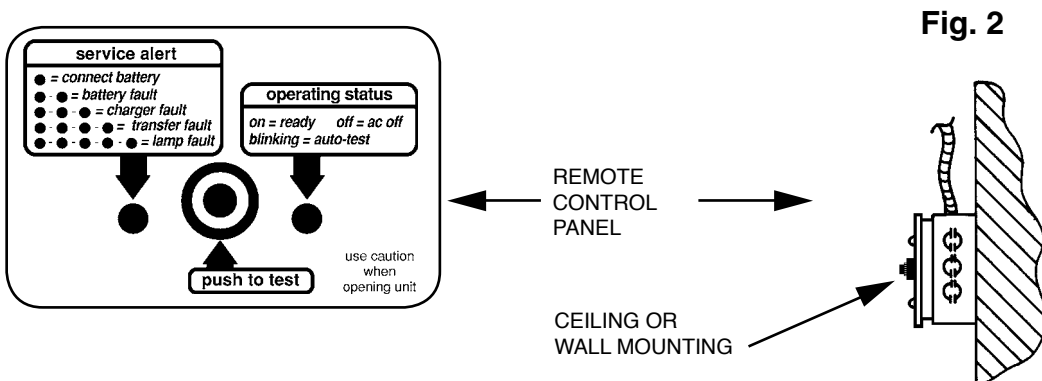
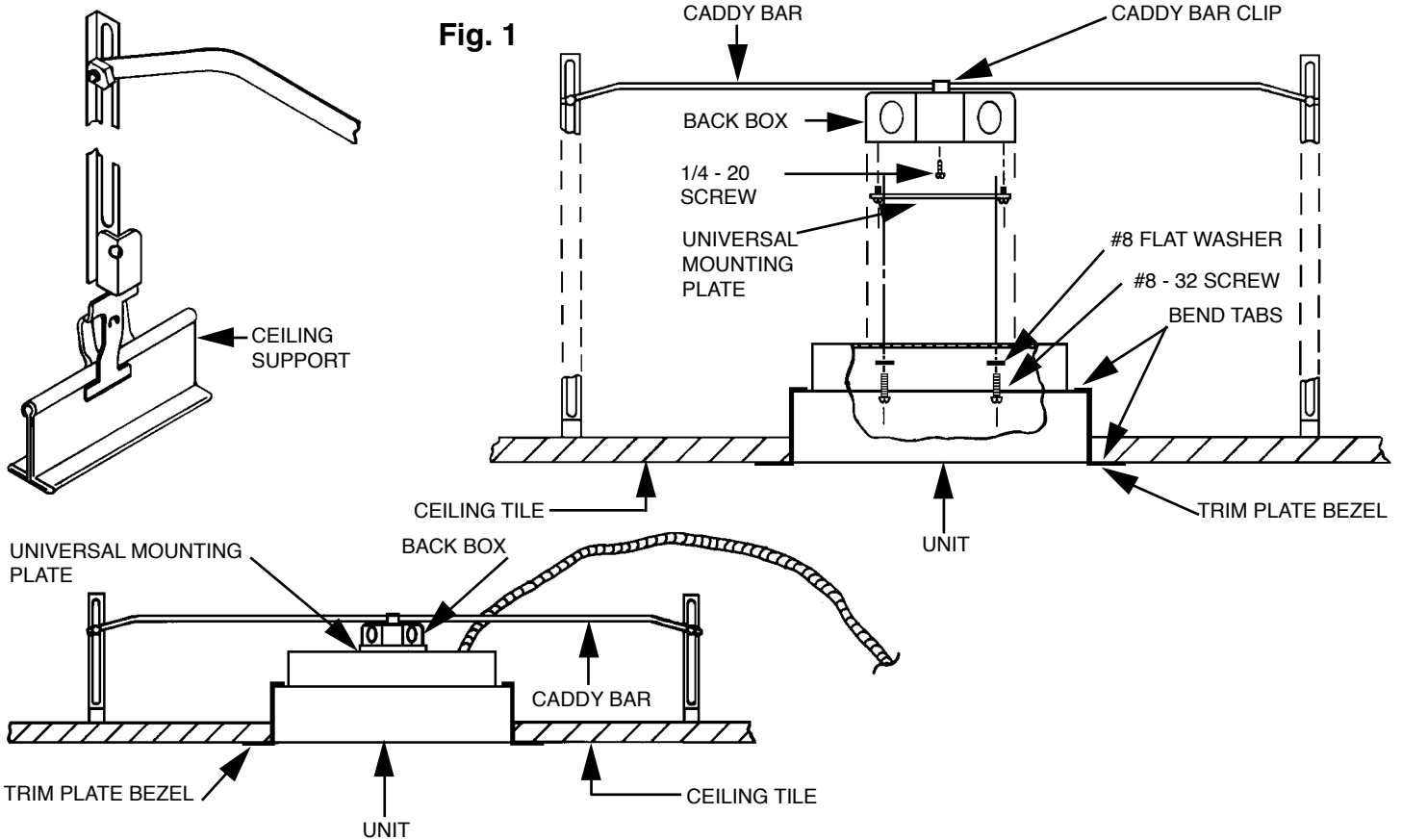




FULLY RECESSED MOUNTING OPTION FOR LITE² SERIES EMERGENCY UNITS AND REMOTE FIXTURES

- 1) Cut a 9" square opening in the ceiling tile.
- 2) Attach backbox to caddy bar with caddy bar clip and 1/4-20 screw.
- 3) Attach caddy bar to ceiling support with the backbox being 4" above the bottom edge of the ceiling tile as shown in Fig. 1.
- 4) Attach universal mounting plate to backbox.
- 5) Disassemble unit by removing lens and reflector.
- 6) Attach trim plate by bending tabs as shown in Fig. 1.
- 7) Attach unit housing to the universal mounting plate with two 8-32 x 1" screws and two #8 washers.
- 8) Make battery and utility connections.
- 9) Install the remote control panel into ceiling tile or other location which will make the control panel accessible to service personnel. See Fig. 2.
- 10) Reassemble unit.



Hubbell Lighting, Inc.

Hubbell Lighting, Inc. Life Safety Products • www.dual-lite.com

Copyright © Hubbell Lighting, Inc., All Rights Reserved • Specifications subject to change without notice.

Printed in U.S.A.

0603223 Rev A 8/08