



# CVE

## Edge-Lit Exit Sign

A Stylish, Versatile Edge-Lit LED Emergency Exit Sign

AUTHENTIC LIFE SAFETY PRODUCTS SINCE 1940



# CVE



## Edge-Lit

A STYLISH, VERSATILE EDGE-LIT ACRYLIC LED EMERGENCY EXIT SIGN

### Simplicity. Affordability. Versatility.

The latest innovation in the Dual-Lite Clearview Collection, the CVE Edge-Lit exit sign series delivers the ultimate in practicality with field-installable chevrons and recessed or surface mounting. With no special tools required for installation and easy-to-use chevron mounting guides, installation is a snap.

Getting the job done right and on time is critical to your bottom line. The CVE Edge-Lit exit sign series eliminates the make-to-order lead times often encountered with fast track design/build projects. The CVE Edge-Lit exit sign goes far beyond code compliance, offering upscale elegance, unexpected value and on-the-spot flexibility for path-of-egress directional indication.



- Compact, decorative design
- LED technology
- Clear or mirror acrylic plaque
- Emergency operation
- Field-installable directional indicators
- Single- or double-face configurations
- Rugged, anodized aluminum trim
- Red or green letters/chevrons

## CVE EDGE-LIT

### Beauty and Beast

No need to compromise availability for design or budget considerations. The CVE Edge-Lit exit sign series is value-conscious life safety equipment at its finest, adding subtle flair backed by rugged dependability. Expect authentic quality and durability from Dual-Lite, pioneers of the life safety industry.

### The Right Stuff

Long life LED lamps provide uniform illumination of the exit face, low operating costs and zero maintenance. The satin finish, extruded aluminum housing (surface mount models) or trimplate (recessed mount models) is both durable and attractive. The CVE Edge-Lit exit sign's flexible design allows easy job-site selection of directional chevrons. Plaques for the CVE series exit signs are constructed of impact-resistant, optically clear acrylic plastic, with smooth rounded edges. Choose from clear single-faced or mirrored double-faced panels. Field-installable chevrons are included allowing for universal configuration of the sign based on your application's directional needs. Double-faced signs include four chevrons while single-faced signs include two. A maintenance-free nickel-cadmium battery completes the reliable design.

The CVE Surface Mount Series features a universal canopy for wall, end or ceiling mounting. The CVE Recessed Series is intended for ceiling mounting. The Recessed Series back box incorporates an adjustable hanger bar system that extends to a maximum of 24" and includes a vertical height adjustment. The hanger bar system allows mounting to the building's framing members or a suspended ceiling T-bar grid. Hanger bars are mounted on the sides of the back box but can be easily moved to the ends of the back box if needed.



### Easy. Now.

Installation of the CVE Surface Mount Edge-Lit simply requires standard electrician's tools. Just complete the five-step process:

1. Remove aluminum housing cover.
2. Mount adapter bracket to electrical box and attach canopy to the adapter bracket.
3. Attach the sign to the canopy and make electrical connections.
4. Install aluminum housing cover.
5. Apply the appropriate directional chevron.

Applying the chevrons quickly and accurately is equally simple. To apply the directional chevrons, select the face and the direction desired. Remove the adhesive liner from the back of the directional chevron, align the directional chevron within the template and press firmly in place. Remove the template from the face of the exit sign and installation is complete.



Make the available, easy-to-install choice for applications where style matters: hotels, reception areas, boardrooms and theatres.

## CVE COMPONENT DETAILS

### **Aesthetically Pleasing**

- Compact, decorative design
- Blends into any architectural environment
- Optically clear acrylic plaque (single-face models) or mirror finish (double-face models)
- LED light engine provides consistently bright, even EXIT legend illumination

### **Versatile**

- Recessed-mounting units for ceiling installation
- Surface-mounting units for wall, ceiling, or end-mounting applications
- Single- or double-faced designs available
- Field-installable, chevron directional indicators
- Maintenance-free battery provides 90-minute emergency operation

### **Energy Efficient**

- LED source provides long lamp life at low energy consumption
- Meets EAct 2005 requirements, ensuring low operating cost over the life of the product

### **Easy Installation**

- No special tools required
- Canopy included with all surface mounted units
- Recessed back box with built-in adjustable hanger bars allows horizontal and vertical sign alignment
- Rough-in mounting box shipped with the recessed sign
- Chevron mounting template simplifies directional application

### **Compliant**

- UL Listed to Standard 924 (Emergency Lighting)
- NFPA 101 (Life Safety Code) compliant
- NFPA 70 (National Electrical Code) compliant
- EAct 2005 compliant



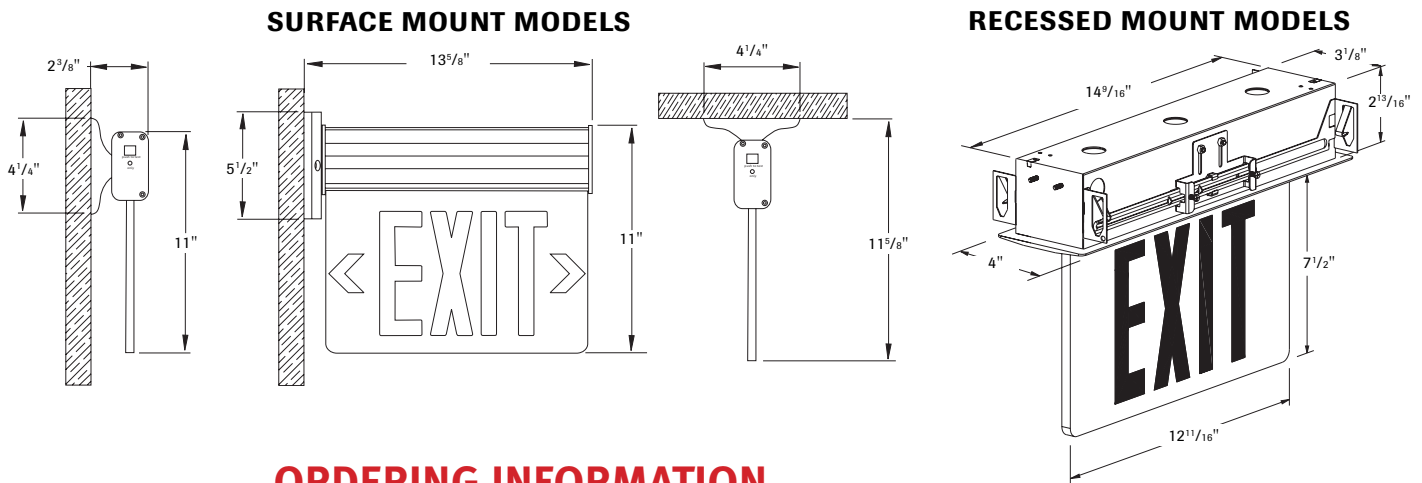
EAct 2005

# PRODUCT SELECTOR

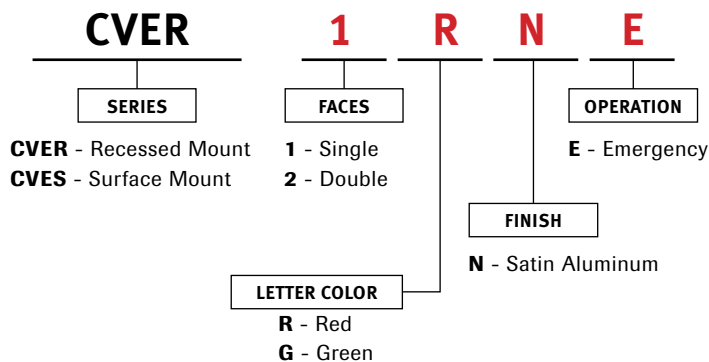
## CVER RECESSED



## CVES SURFACE MOUNTING



## ORDERING INFORMATION





Hubbell Lighting, Inc. Life Safety Products • [www.dual-lite.com](http://www.dual-lite.com)

701 Millennium Boulevard • Greenville, SC 29607

Telephone: 864-678-1000 Fax: 864-678-1415

A Hubbell Lighting, Inc. brand with representatives' offices in principal cities throughout North America.

Copyright Hubbell Lighting, Inc., All Rights Reserved. Specifications subject to change without notice.



HUBBELL LIGHTING, INC.