



We've Taken **Exit** Signs

To The

Edge

Liteforms® Collection LE Series Edge-Lit LED Exit Signs

- *Elegant Styling*
- *Industry-Leading Quality And Performance*
- *Easy, Trouble-Free Installation*

Liteforms®
Collection

DUAL LITE

Style And Substance In An Edge-Lit Exit Sign

Only one edge-lit exit sign combines elegant styling with the brightest, most uniform illumination possible to provide maximum visibility in every application. That's the Liteforms® Collection LE Series...available only from Dual-Lite.

Enhancing the LE Series' style is the substance of an LED edge-lit exit sign that offers:

- High-performance LED lamps with 20-year life cycles
- Ceiling, wall and end mount models
- Truly universal rough-in kit for fast, trouble-free installation
- 120/277VAC input
- The industry's broadest range of options
- The only edge-lit exit sign with Spectron® self-diagnostics

All this in an exit sign that takes aesthetics to the edge.

A Clearly Visible Difference

The LE Series difference begins with a clear, molded acrylic exit plaque assembly highlighted by graceful contours and soft edges.

Each letter plaque is clasped in a smart, compact aluminum housing and finished with a sleek trim that creates an aesthetically pleasing statement.

Accent the housing and trim in one of six available finishes, and the LE Series complements any decor or theme.



Wall Mount

Ceiling Mount



Truly Enlightened Performance



Our unique plaque design and high-efficiency illumination source prove less can equal more.

Dual-Lite has combined high-output LEDs,

advanced optics and frequency-matched letter graphics to create a letter plaque that equals or surpasses any other in true-color, brightness and light uniformity.

The result is a clear difference, not only in performance and safety, but energy-savings as well.

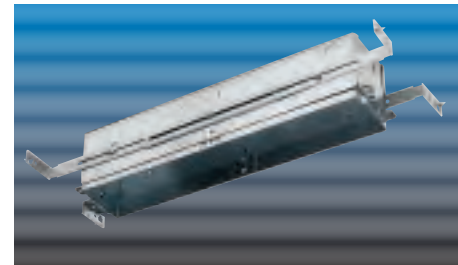


Installer-Friendly Design

Forward thinking also simplifies installation.

Our two-part design includes a universal rough-in kit that meets all ceiling, wall or end mounting requirements. Attaching the rough-in kit to either wood framing or suspended ceiling grids is simplified by multipurpose mounting bars that fasten to the sides or ends of the kit. Plug-in wiring connectors and captured mounting hardware complete the installation of the LE exit fixture/trim assembly into the rough-in kit.

Typical installation time? Less than 10 trouble-free minutes.



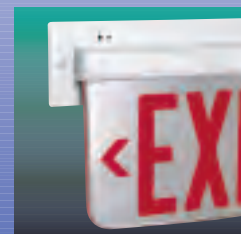
Aluminum



Brass



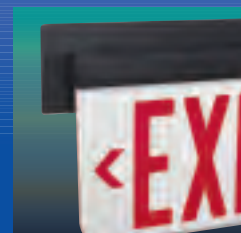
White



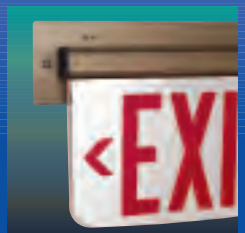
Chrome



Black



Bronze



Spectron®: Self-Diagnostics Made Easy

Our LE Series is the only edge-lit exit sign that offers a Spectron self-diagnostic option.

- Meets 1999 UL standards for self-testing/self-diagnostic models
- Automatically monitors battery, charger, transfer circuit and LED lamps
- Automatically performs routine maintenance and assures operational readiness at all times
- Routine discharge cycles ensure optimum battery performance and maximum useful life

- Flashing LED indicates unit malfunction or test cycle
- Test switch allows a programmable 1, 5, 30 or 60-minute system check at any time



Product Selector

Rough-In Kit

All standard models are supplied with universal rough-in kit. To order rough-in kit only for early installation, add “-XK” option suffix to exit model number and order “URK” kit separately. See “Accessories” section below.

Standard Plaque Backgrounds

Single face models = clear
 Double face models = mirror
 See “Options” for alternate background colors.

L E	1	2	3	4	5	6	7	Note: Boxes 1 through 6 must be specified on all models.
	□	□	□	□	□	□	□	

1 Mounting

Description	Specify
Ceiling	C
Wall	W
End mount	E

2 Faces

Description	Specify
Single	S
Double	D

3 Letters

Description	Specify
Red	R
Green	G

4 Directional Indicators

Description	Specify
No arrows EXIT	X
Right arrow EXIT>	R
Left arrow <EXIT	L
Double arrows <EXIT>	D
L/R arrows* <EXIT/EXIT>	C

*Double face models only. Provides reversible right or left arrow indicator.

5 Trim/Housing Finish

Description	Specify
Satin aluminum	N
White*	W
Chrome	C
Black	B
Brass	S
Dark bronze	Z

*Neutral white finish provides suitable base for field repainting to match custom decors.

6 Operation

Description	Specify
AC only	A
Emergency	E
Spectron self-diagnostic/self-testing emergency	EI

Example

LECDR CNE-FM

Represents an LE exit complete with rough-in kit for ceiling mounting. Double face plaque provides red letters on a mirror background with left/right directional arrow indicators. Unit trim has satin aluminum finish and exit is supplied for emergency operation. Optional equipment consists of a flasher module.

7 Options

Description	Specify
Exit sign less rough-in kit ⁽¹⁾	-XK
White plaque background	-W
Mirror plaque background ⁽²⁾	-M
2-circuit operation ⁽³⁾⁽⁸⁾⁽⁹⁾	-2C
Fire alarm panel interface ⁽⁵⁾⁽⁷⁾⁽⁸⁾	-FAP
Flasher module ⁽⁴⁾⁽⁷⁾	-FM
Audible/flasher module ⁽⁴⁾⁽⁷⁾	-AF
Remote DC operation ⁽⁶⁾⁽⁷⁾	-DC
220/240VAC, 50/60 Hz operation ⁽⁹⁾	-24K
Tamper-resistant option	-TR

- (1) Allows ordering of rough-in kit separately. See “Accessories” section below.
- (2) For use with single face models only (standard on double face models).
- (3) For use with AC models only.
- (4) For specification with emergency models only.
- (5) Operates with 24-volt AC or DC fire alarm panels.
- (6) For emergency illumination of sign from remote 6-24VDC power sources.
- (7) -FAP, -FM, -AF or -DC options may not be specified together.
- (8) -2C and -FAP options may be specified together.
- (9) Rough-in kit may not be ordered separately on models specified with -2C or -24K options.

Accessories

Description	Order Model Number
Universal rough-in kit	URK

*Available in Six
Decorator Finishes*



*Red and Green
Letter Models*



Features	Benefits
Classic, elegant styling	Complements refined interior designs
Six decorator finishes	Integrates easily into any building decor
Bright, even illumination	Easier-to-read letters; improved safety
Two-part design	Allows rough-in kit pre-installation at any time
Universal rough-in kit	One kit accommodates all models; eliminates ordering confusion
Multipurpose mounting bars	Allows rough-in kit installation in both wood frame construction or suspended ceiling grids
Dual plaque design	Gives uniform appearance to single and double face models
Wall, ceiling, end mount models	Models for all application requirements
Broad range of options	Increased versatility
Spectron® self-diagnostic models	Allows self-testing, self-diagnostic operation
Long-life LEDs (20 years)	Eliminates lamp replacement; lowers maintenance costs
Low energy consumption	More cost effective to operate
Exceeds UL 1999 standards for brightness and uniformity, and 2001 directional indicator specifications	Most advanced life safety products available

LE Series Vital Statistics

Construction

Plaques: Water-clear, injection-molded acrylic.

Dual plaque assembly supplied on single and double face models

Housing/Trim: LED lamp housing and unit trim plate constructed of high-strength extruded aluminum

Rough-In Kit: .036 (20 Ga.) galvanized steel housing with .060 (16 Ga.) galvanized steel universal mounting bars

Exit Face Design

Letters: 6-inch letters, 3/4" stroke

Directional Arrows: Custom-printed chevron type

Diffuser Finish: Frequency-matched silkscreened coating provides optimized, true-color LED light output

Illumination

Red Letter Models: 12 high-output red LEDs (per face)

Green Letter Models: 8 high-output green LEDs (per face)

Rated Lamp Life: In excess of 20 years

Lumen Output: 1.5 times 1998 UL requirements

Illumination Uniformity: 10 times 1998 UL requirements

Installation

Rough-In Kit: Universal rough-in kit is designed to accommodate recessed installation of all models in either suspended ceilings or standard wood frame construction ceiling and wall cavities using multipurpose mounting bars. Internal trim ring allows 3/4" adjustment range for accurate alignment with mounting surfaces.

Mounting: All signs install into universal rough-in kit assembly by means of two captive screws in the unit trim.

Wiring: Electrical connection to transformer primary by means of installer-provided wire nuts or other approved connectors. Plug-together polarized connectors supplied for making all other electrical and battery connections.

Electronics

Input: 120/277VAC, 60 Hz (all models)

Operating Temperature Range: 68-86° F (20-30° C)

Built-In Protection: Surge, transient and low battery voltage

Emergency Operation Module (Internally Mounted)

Charger: Solid-state, constant current type

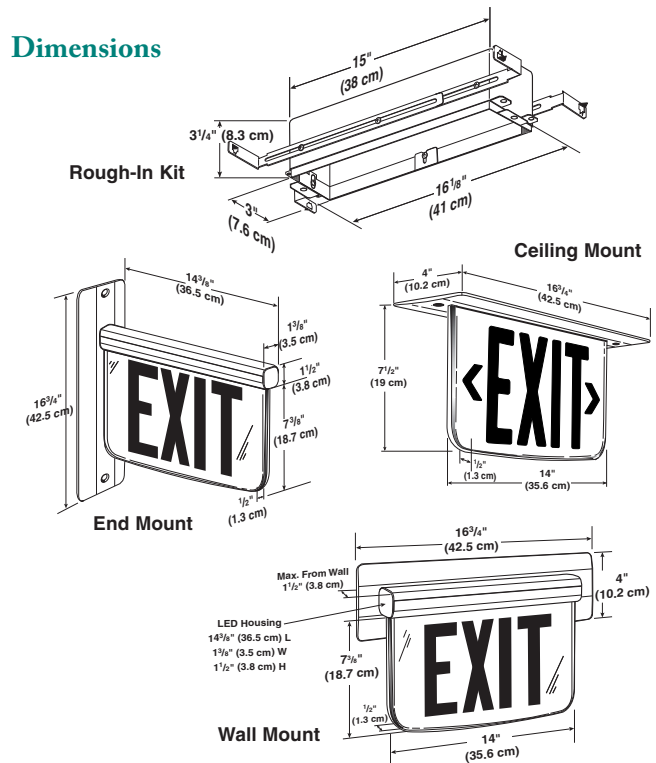
Transfer: Solid-state design

Battery Recharge Cycle: Per UL time standards

Test Means: Integral test switch

Indicators: AC-On LED indicator

Dimensions



Battery

Type: Maintenance-free nickel-cadmium

Expected Normal Life: 10 years

Power Consumption*

	Single Face	Double Face
Red AC Only Models (120/277V)	2.2 watts	3.4 watts
Green AC Only Models (120/277V)	2.5 watts	4.0 watts
Red Emergency Models (120/277V)	3.3 watts	4.5 watts
Green Emergency Models (120/277V)	3.6 watts	5.0 watts

* Wattage figures include LED lamps, transformer and electronics power requirements. LED lamp assemblies (red or green) consume less than 1 watt.

Compliances

UL 924 (meets 1998 brightness and uniformity requirements)

NFPA-101

Warranty

Liteforms Collection LE Series Edge-Lit LED Exit Signs are guaranteed by the manufacturer under normal and proper use, against defects in material and workmanship under the following schedule:

Item	Warranty Period
LED Illumination Strip	Lifetime
Unit And Electronics	5 Years Full
Battery Provided In	3 Years Full Plus
Emergency Models	3 Years Pro-Rata

Correction of all defects shall be by replacement or repair (at Dual-Lite's option) and shall constitute fulfillment of all the manufacturer's obligations.



Dual-Lite • www.dual-lite.com

A Hubbell Lighting, Inc. brand with representatives' offices in principal cities throughout North America.

Copyright® Dual-Lite, All Rights Reserved • Specifications subject to change without notice. • Printed in U.S.A.

0601632 Rev B 4/08