

## Top Mounted Designer Combination Unit/LED Exit Sign

EXIT SIGNS



### FEATURES

- Combo unit for designer commercial applications
- UV stable thermoplastic housing
- Long life LED lamps in exit sign rated at 50,000 hour life expectancy
- High output halogen lamps in eyeball style unit (optional LED lamps)
- Universal ceiling or wall mount
- Maintenance-free Lead-Calcium battery with fully automatic charger
- Snap-in chevron arrows, 6" letters with 3/4" stroke
- Temperature range: 20°C to 30°C (68°F to 86°F) damp: 10°C to 40°C (50°F to 104°F)
- UL 924 Listed (optional damp location listing)
- U.S. Patent Nos. D406,279, D400,991, 6,280,042 and 6,019,477

### ORDERING INFORMATION

MODEL	FACES	LETTER COLOR	HOUSING FINISH	SELF-DIAGNOSTIC	OPTIONS
<b>LT</b>	<b>U</b>	<b>R</b> <b>G</b>	<b>W</b> <b>B</b>	<b>Blank</b> <b>I</b>	<b>Blank</b> <b>03L</b> <b>0</b> <b>FAP</b> <b>FM</b> <b>AF</b> <b>24K</b> <b>SA</b>
LT	U Universal Single/Double Face	R Red G Green	W White B Black	Blank None I Spectron self-testing/self-diagnostic electronics <sup>1</sup>	Blank 5W Halogen lamps 03L 3W LED Lamp <sup>6</sup> 0 Unit supplied without lighting heads <sup>2</sup> FAP Fire alarm panel interface <sup>3,4,7</sup> FM Flasher Module <sup>4,7</sup> AF Audible/Flasher module <sup>4,7</sup> 24K 220-240VAC, 60Hz SA "SALIDA" stencil face

<sup>1</sup> Available only with remote capacity and damp location models.  
<sup>2</sup> Available with remote capacity (LTUXXX3) models without Spectron only  
<sup>3</sup> Operates with 24-volt AC or DC fire alarm panels  
<sup>4</sup> FAP, FM or AF options may not be specified together  
<sup>5</sup> Not available with 03L(LED) option  
<sup>6</sup> Not available with Spectron Self-Diagnostics  
<sup>7</sup> Only available with Spectron Self-Diagnostics

APPLICATION
<b>Blank</b> Standard Model
<b>3</b> Remote Capacity Model
<b>D</b> Damp Location Model <sup>5</sup>

### SPECIFICATIONS (Damp Location Models)

BASE CATALOG NUMBER	ELECTRICAL					
	OUTPUT VOLTS	BATTERY TYPE	OUTPUT WATTS		STANDARD LAMP	REMOTE CAPABILITY
			1.5 HOURS	2 HOURS		
LTUGWD	6	Lead-Calcium	10	--	5W HAL	No
LTUGBD	6	Lead-Calcium	10	--	5W HAL	No
LTURWD	6	Lead-Calcium	10	--	5W HAL	No
LTURBD	6	Lead-Calcium	10	--	5W HAL	No

### Standard Models

BASE CATALOG NUMBER	ELECTRICAL					
	OUTPUT VOLTS	BATTERY TYPE	OUTPUT WATTS		STANDARD LAMP	REMOTE CAPABILITY
			1.5 HOURS	2 HOURS		
LTURW	6	Lead-Calcium	10	--	5W HAL	No
LTURB	6	Lead-Calcium	10	--	5W HAL	No
LTUGW	6	Lead-Calcium	10	--	5W HAL	No
LTUGB	6	Lead-Calcium	10	--	5W HAL	No
LTURW3	6	Lead-Calcium	15	--	5W HAL	Yes
LTURB3	6	Lead-Calcium	15	--	5W HAL	Yes
LTUGW3	6	Lead-Calcium	15	--	5W HAL	Yes
LTUGB3	6	Lead-Calcium	15	--	5W HAL	Yes
LTURW-3L	6	Lead-Calcium	10	--	3W LED	--
LTURW3-03L	6	Lead-Calcium	15	--	3W LED	Yes
LTURW3I-03L	6	Lead-Calcium	15	--	3W LED	Yes

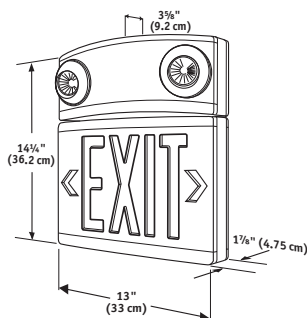
### MATCHING INDOOR REMOTE FIXTURES

WHITE SINGLE	BLACK SINGLE	VOLTS	WATTS
LZRSW0605	LZRSB0605	6	5
LZRSW0603L	LZRSB0603L	6	3
LZRDW0603L	LZRDB0603L	6	3
LZRSW1203L	LZRSB1203L	12	3
LZRDW1203L	LZRDB1203L	12	3

For other indoor or outdoor remote fixture styles, see the "Remote Heads and Fixtures" section.

### ACCESSORIES

MODEL	DESCRIPTION
<b>WGTV</b>	Wireguard (wall mount)
<b>WGTC</b>	Wireguard (ceiling or end mount)
<b>FTSMKW</b>	Side mount field kit (white)
<b>FTSMKB</b>	Side mount field kit (black)
<b>PMLZTW</b>	12½" Pendant mounting kit (white)
<b>PMLZTB</b>	12½" Pendant mounting kit (black)



### POWER CONSUMPTION

MODEL	120VAC	277VAC
<b>Red Emergency Models</b>	5.0W	5.0W
<b>Green Emergency Models</b>	5.0W	5.0W

Power factor, average: .90 (lagging) Wattage figures include LED lamps, transformers and electronics power requirements.

### ELECTRONICS

- Transformer isolation, surge, transient, and low voltage disconnect protection
- 120 minute emergency operation; damp and remote capacity models are 90 minute
- Reverse polarity, short circuit and AC lockout protection
- 120/277VAC 60Hz operation, test switch and LED AC-On indicator light

