

Harsh Environment Emergency Light

FEATURES

- High capacity emergency unit for harsh environments
- Grey, sealed and gasketed polycarbonate housing in 6 or 12 volt models
- Sealed lamp terminals and swivels; external stainless steel hardware
- Fully adjustable, glare free, high-output incandescent lamp heads
- High impact, 5VA flame rated, UV stabilized, gray thermoplastic lamp heads
- Maintenance-free lead-acid battery with fully automatic charger
- Vented battery compartment
- Temperature range: 10°C to 40°C (50°F to 104°F)
- UL 924 Damp Location Listed



EMERGENCY LIGHTING

ORDERING INFORMATION

N4X		-		-	
MODEL	CAPACITY	OUTPUT VOLTAGE	SELF DIAGNOSTICS	OPTIONS	
N4X	2 15 Watts 4 30 Watts 7 50 Watts 14 100 Watts	Blank 6 Volt 12V 12 Volt ¹	Blank None I Spectron Self-test/ Self-diagnostic Electronics	0 0 Lampheads ² 1 1 Lampheads ² L Shattered containment lamp ^{2,3,4} A31 Aux 3-conductor cord-120 volt A32 Aux 3-conductor cord-277 volt	

¹For use with N4X7 and N4X14 models only

²Not available on N4X2 models

³Protective lamp cover safely contains lamp fragments in the event of accidental breakage in sensitive areas. Not for use in food processing/preparation areas or hospitals.

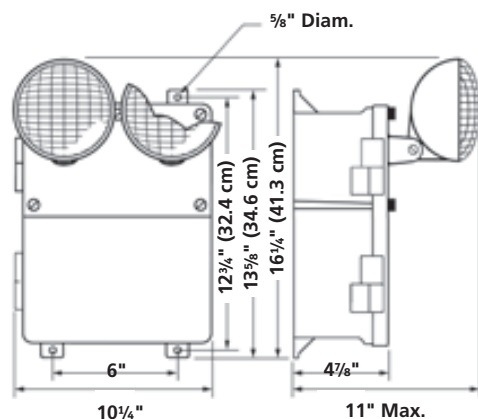
⁴-L option available with 8, 12, 18, 25 and 35 watt PAR 36 lamps only

Optional Lamps
To order non-standard lamps on the fixture, suffix the catalog number with catalog string from GNX Series on page 954.
Example: N4X4-GNXSB0612

ACCESSORIES

MODEL	DESCRIPTION
40G	Wire guard
Matching Remote Fixtures	
GNXSB	Matching remote head - single ^(a)
GNXDB	Matching remote head - twin ^(a)

(a) Supplied with mounting plate. Specify voltage and wattage when ordering. Example: GNXSB0618. See "Remote Heads and Fixtures" section for available lamps.



SPECIFICATIONS

BASE CATALOG NUMBER	ELECTRICAL						
	OUTPUT VOLTS	OUTPUT WATTS				STANDARD LAMP	REMOTE CAPABILITY
		1.5 HOURS	2 HOURS	3 HOURS	4 HOURS		
N4X2	6	15	--	--	--	7.2W	No
N4X4	6	31	22	15	--	7.2W	Yes
N4X7	6	50	36	29	22	7.2W	Yes
N4X7-12V	12	50	36	29	22	9W	Yes
N4X14	6	100	79	61	44	7.2W	Yes
N4X14-12V	12	100	79	61	44	9W	Yes

ELECTRONICS

- 120/277 60 Hz VAC operation, sealed test switch and LED AC-On indicator light
- Transformer isolation, surge, transient and low voltage disconnect protection
- Reverse polarity, short circuit and AC lockout protection
- Extended remote capacity and time delay retransfer (TDR with Spectron only)