



LE Series

Architectural Recessed-Mounted LED Edge-Lit Exit Sign

Catalog Number	
Comments	Type

FEATURES

Application

The LE Series provides bright, even letter illumination in an energy-saving LED edge-lit exit sign configuration. AC or Emergency operation with optional Spectron® self-test/self-diagnostic circuitry. Special Wording ("SW") option allows customizing the stencil field to convey important information.

Construction

Water-clear injection-molded acrylic EXIT plaque is available with clear, white or mirror backgrounds. High strength extruded aluminum trim available in six finishes. Exit face design in single or double face with red or green letters. Custom printed directional chevron arrows. Standard EXIT stencil with 6" letters and 3/4" stroke; 8" letters for New York City requirements available as an option. Rough-in kit: galvanized steel, .036 (20 Ga.) housing, .060 (16 Ga.) mounting bars.

Installation

Universal rough-in box accommodates recessed installation of all models in wall, ceiling or end-mount applications. All mounting hardware is fully concealed.

Illumination

Exit face illumination is provided by energy saving, long life red or green LEDs. Exceeds UL 924 requirements for brightness and uniformity. 10 year LED life.

Compliances

UL 924 Listed
NFA 70
NFA 101



Ceiling Mount



Wall Mount



End Mount



Special Wording Option

Warranty

AC models: 5 years full.

Emergency models: 5 years on unit and electronics. Battery: 1 year full, 9 year pro-rata.

Spectron-equipped models: 5 years on unit and electronics, lifetime warranty on battery.

ORDERING GUIDE

LE	C	S	R	X	N	E	I	-FAP
Model	Mounting	Faces	Letter Color	Directional Arrows	Trim/Housing Finish	Operation	Self-Diagnostic	Options
	C - Ceiling mount W - Wall mount E - End mount	S - Single D - Double* * Not for use with wall mounted models	R - Red G - Green	X - No arrows EXIT R - Right arrow* EXIT L - Left arrow* <EXIT D - Double arrows <EXIT> C - L/R arrows** <EXIT/EXIT>	N - Satin Aluminum W - White C - Chrome B - Black S - Satin Brass Z - Dark Bronze	A - AC only E - Emergency	Blank - None I - Spectron self-testing/self-diagnostic electronics* * For use with emergency models only	See "Options" section

OPTIONS

-2C	2-circuit operation ^{2,5}
-FAP	Fire alarm panel interface ^{3,5,6}
-FM	Flasher module ^{1,6}
-AF	Audible flasher module ^{1,6}
-DC	Remote DC operation ^{2,4,5}
-24K	220-240VAC, 60Hz. operation ⁹
-XK	Recessed mount exit sign less rough-in kit ^{7,9}
-W	White plaque background
-M	Mirror-plaque background ⁸
-8L	8 inch letter plaque (red letters only) ^{10,11}
-SW	See available special wording choices on page 3 ^{12,13,14}

¹ For use with emergency models only.
² For use with AC models only.
³ Operates with 24-volt AC or DC fire alarm panels.
⁴ For emergency illumination of sign from remote 6-24VDC power sources.
⁵ -DC option may not be specified with -2C or -FAP options.
⁶ -AF, -FM and -FAP options may not be specified together.
⁷ Allows ordering of rough-in kit separately for recessed mount (LE) models. See "Accessories".
⁸ For use with single face models only. Standard on double face models.
⁹ Rough-in kit may not be ordered separately on models specified with -24K option.
¹⁰ LE exit models with 8" plaques registered under NY-BEC Calendar number 42135

ACCESSORIES (order separately)

URK Universal rough-in kit
URK2C Universal 2-circuit rough-in kit ^{a,b,c}
^a For use with AC models only.
^b Rough-in kit may not be ordered separately on models specified with -24K option.
^c Must be ordered in conjunction with -2C option on exit sign
To Order Rough-In Kit Separately
To order rough-in kit only for field installation, add "-XK" option suffix to exit model number and order "URK" or "URK2C" kit separately.

for use in New York City.
¹¹ Single face LE exit signs specified with the -8L option are supplied without backgrounds. Double face models specified with the -8L option are supplied with mirror backgrounds.
¹² Specify special wording code from page 3 when ordering. Example: SW41
¹³ Special wording option not available with 8" letter plaque.
¹⁴ Some special wording signs not available with directional arrows.



LE Series

Architectural Recessed-Mounted LED Edge-Lit Exit Sign

SPECIFICATIONS

Electronics

Available with AC, emergency and Spectron® self-test/self-diagnostic electronics option. Emergency and self-diagnostic models equipped with isolation transformer and fully automatic constant current solid state charger with sealed maintenance-free nickel-cadmium battery. All emergency models with 90-minute run-time. All components mounted inside housing. Includes test switch and AC-on indicator. Transient/surge protection, low voltage disconnect and AC lock-out features included. Battery re-charge within UL time standards. Includes pre-stripped AC input pigtail leads.

Power Consumption (120/277VAC)

	Single Face	Double Face
Red AC Only Models:	2.2 watts	3.4 watts
Green AC Only Models:	2.5 watts	4.0 watts
Red Emergency Models:	3.3 watts	4.5 watts
Green Emergency Models:	3.6 watts	5.0 watts

* Wattage figures include LED lamps, transformer and electronics power requirements.

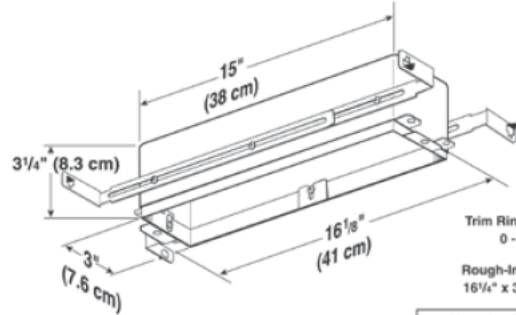
Power Factor, Average: .8 (lagging)

Battery Type: Maintenance-free sealed nickel cadmium battery

AC Input: 120/277VAC, 60 Hz. (all models)

Operating Temperature Range: 20°C to 30°C (68°F to 86°F)

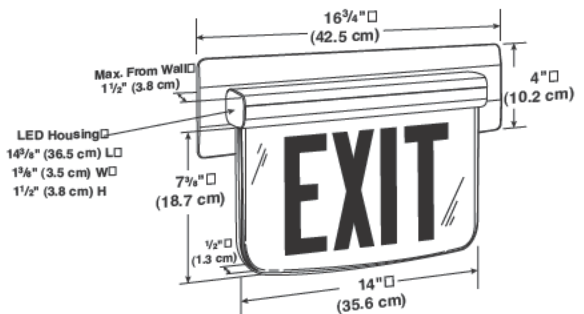
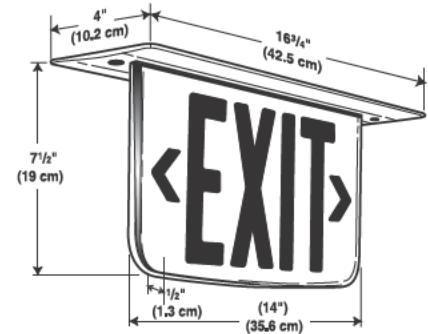
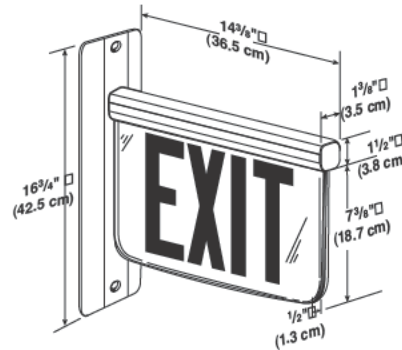
DIMENSIONS



Trim Ring Adjustment Range
0 - 3/4" (0 - 1.9 cm)

Rough-In Opening Dimensions
16 1/4" x 3 3/8" (41 cm x 8.6 cm)

Mounting Bar Adjustment Range	
Side Mounted	End Mounted
Min: 16 1/4" (41 cm)	Min: 13" (33 cm)
Max: 25 1/4" (64 cm)	Max: 22 1/4" (57.8 cm)



Hubbell Lighting, Inc.



LE Series

Architectural Recessed-Mounted LED Edge-Lit Exit Sign

LE Series architectural recessed LED edge-lit exit signs feature an option for standard or custom special-wording. The images below represent standard special-worded signs available for the LE Series. The artwork and silk-screening for the standard signs shown below were previously developed therefore pricing for these special-worded signs do not incur a setup charge.

If your special-worded requirements do not appear on this page, please contact the factory to request your custom special-wording sign. Custom special wording signs incur a one time set-up charge for each development.

STANDARD SPECIAL WORDING SIGNS WITH DIRECTIONAL ARROWS



SW118



SW41 (Arabic/Exit)



SW13



SW10



SW69



SW11

STANDARD SPECIAL WORDING SIGNS WITHOUT DIRECTIONAL ARROWS



SW4



SW3



SW31



SW2