



NRG304BE

UL 924 Listed Outdoor Emergency Perimeter Wall Pack

Catalog Number	
Comments	Type

FEATURES

Application

Security and accent lighting for outdoor entrance/exit ways, perimeter walkways and under canopy installations. In the event of a utility power failure, the built-in battery pack provides 90 minutes of emergency illumination.

Construction

Rugged polycarbonate dark bronze finish housing, polycarbonate lens and die-cast aluminum backbox.

Installation

Surface, wall mount; universal mounting pattern knockouts for 4" octagon or 4" square electrical boxes. Two 1/2-14 NPT threaded conduit entries in back box. Recommended mounting height is 6' to 10'.

Lamp

42W, 4-pin low mercury compact fluorescent lamp.

Compliances

UL 924 Listed (Emergency Lighting standard)

UL 1598 Listed (Luminaire standard)

Wet Location Listed

NFPA 101 Life Safety Code

NFPA 70 National Electrical Code

Warranty

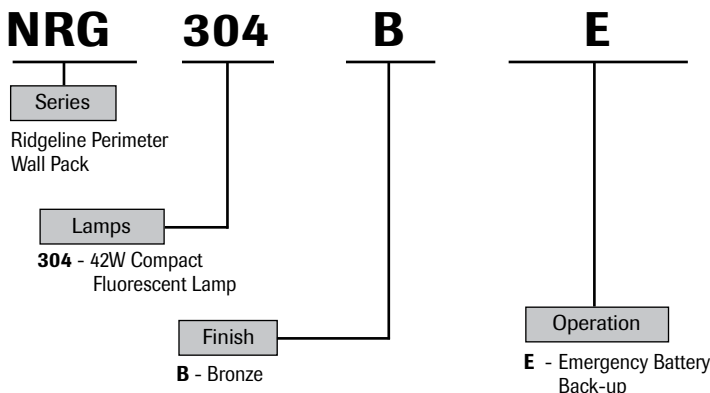
Three-year warranty for unit, electronics and battery.

Ridgeline®

NRG304BE, Perimeter Wall Pack



ORDERING GUIDE



Hubbell Lighting, Inc.



NRG304BE

UL 924 Listed Outdoor Emergency Perimeter Wall Pack

SPECIFICATIONS

Electronics

When normal utility supplied power is interrupted, RidgeLine™ outdoor lighting fixtures will automatically transfer to inverted battery power and provide emergency fixture illumination for 90-minutes. The battery is optimized for use with a low mercury lamp. Following the return of normal utility power, the charging circuit will bring the battery pack to full recharge in 24 hours. A test switch and LED charge indicator light is provided for testing and monitoring of unit performance.

Input: 120/277VAC

AC Input Power:

Heater On: 16 watts

Heater Off: 4 watts

RidgeLine Emergency Wallpack Temperature Range:

-20°C to 40°C (-4°F to 104°F)

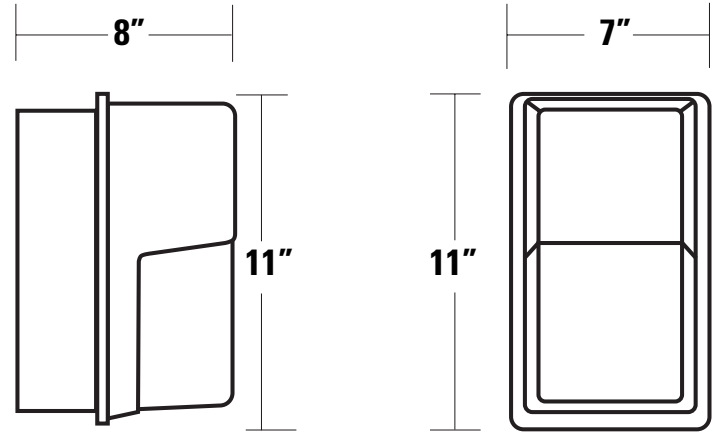
Normal Lamp Ballast: Per manufacturer's specifications

Emergency Operation Ballast:

- Nickel-cadmium battery
- Solid state battery charger
- Automatic transfer circuit
- High-frequency inverter
- Up to 1250 initial lumens output
- End-of-lamp-life compatible

Shipping Weight: 10 lbs.

DIMENSIONS



PHOTOMETRY

PHOTOMETRIC FILENAME : NRG-42CFL-E.IES

ISOFOOTCANDLE LINES OF HORIZONTAL ILLUMINANCE

