



ATSD20

20 Amp Auxiliary Transfer Switch

Catalog Number	
Comments	Type

FEATURES

Application

The ATSD20 works in conjunction with an emergency lighting inverter or auxiliary generator to power switched and dimmed emergency lighting loads up to 20 Amps. The device senses the loss of normal power and, in response, switches the lighting load to a designated emergency source. This allows for a switch or dimmer to be overridden so that full emergency power can be provided to the designated fixtures, regardless of switch position. The switch is compatible with all lamp types, although HID type lamps are not recommended as the time to achieve full illumination may not be acceptable to NFPA 101 standards when switching to emergency power from an off position.

Operation

The ATSD20 senses the loss of normal power and switches the lighting load, connecting it to an emergency circuit powered by a central lighting inverter or auxiliary generator.

Construction

The ATSD20 enclosure and cover are constructed of 20 gauge steel with a gray paint finish and is surface mountable.

Compliances

- UL 924 Listed (Emergency Lighting Equipment)
- UL 1008 Listed (Transfer Switch Equipment)
- UL Damp location listed
- NFPA 101 Life Safety Code
- NFPA 70 National Electrical Code

Warranty

Unit and Electronics: 5 years full



ORDERING GUIDE

ATSD20

Series



Hubbell Lighting, Inc.



ATSD20

20 Amp Auxiliary Transfer Switch

SPECIFICATIONS

Electronics

Universal Input Voltage: 120 through 277 VAC, 50/60 Hz
Load Rating: 20 A
Operating Temperature Range: -20° to 55° C (-4° to 131°F)
LED Indicators: Utility Power and Emergency Power
AC Input Power Rating: 4.0 Watts
Input Sensing Circuit Current: 45 mA

Weight

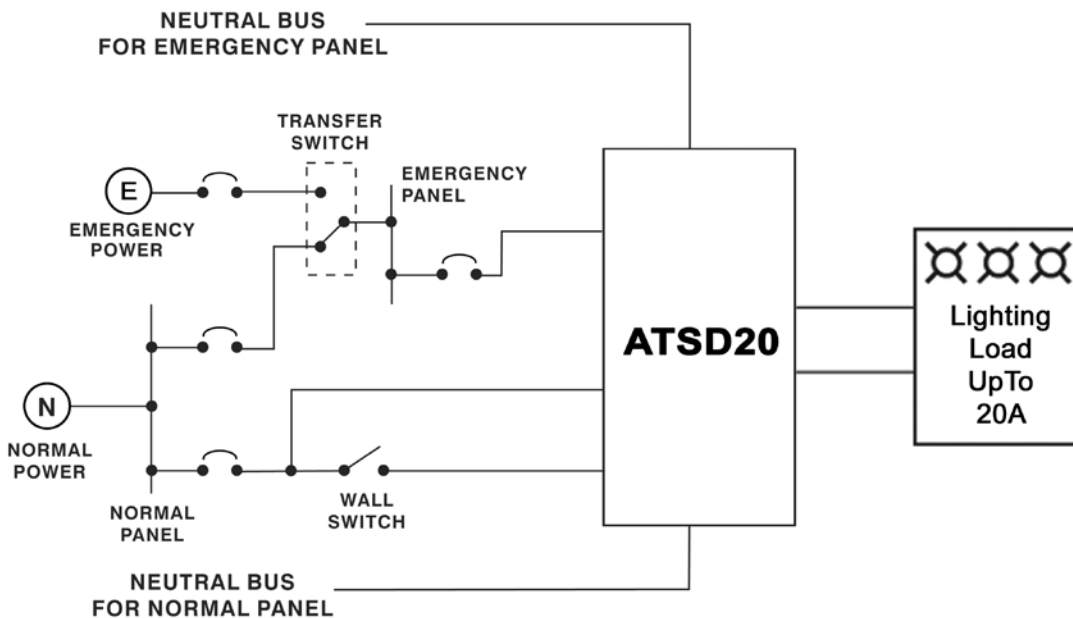
5 lbs. (2.3 kg)

Installation

The ATSD20 does not affect normal fixture operation and comes fully assembled for immediate installation. In addition to available wiring, the device requires a direct, unswitched connection to a normal power circuit and, depending on the application, an unswitched connection to a generator-supplied or central inverter system-supplied emergency panel. See diagram below for typical installation.

Suggested Specification

Emergency egress lighting shall be provided by using existing lighting loads equipped with a Dual-Lite ATSD20 emergency lighting relay control device. The device shall be capable of bypassing the local switching means when normal utility power has been lost. The device shall consist of relay switching circuitry, a test switch, a normal power indicator light and an alternate power indicator light contained in one 9" x 6" x 3.5" enclosure; shall sense normal power at 120 through 277 VAC, 50/60 Hz; shall be rated for 120 through 277 VAC, 50/60 Hz at up to 20 amps of lighting load; shall draw 45 mA and 4.0 Watts during normal sensing operation; and shall comply with the current NEC. The device shall be UL Listed for field installation in indoor or damp locations and shall be warranted for a full five years from date of purchase.



DIMENSIONS

