



CLM Series

Mini-Concealed Recessed Emergency Luminaire

FEATURES

Application

The CLM series is a concealed and recessed, self-contained emergency light with fully automatic operation suitable for wall or ceiling mount applications. With its 25 watt MR-11 halogen lamps it offers concealed and unobtrusive emergency lighting compliance for small and large open floor plans. The 4" rotating door is flush with trim and mounting surface. Upon loss of power, the door automatically opens to reveal the emergency lighting lamp-heads.

Construction

Recessed back-box made of galvanized 20 gauge steel. Trim and door panel in durable die-cast zinc with white powder coat finish. Can be wall-papered or field painted. Trim and panel door are mounted flush with surface with no exposed hardware.

Installation

Wall or ceiling mount. The CLM is fully recessed by means of a steel back-box complete with fully adjustable mounting hardware. The modular assembly and quick connector design allow for fast and easy installation. Universal mounting rails extend to mounting studs in the wall, or rails for suspended ceiling.

Illumination

The CLM series provides illumination with two adjustable high intensity 25 watt MR-11 Halogen lamps which provide up to 85' of spacing coverage.

Compliances

UL924 Listed
 NFPA101 Life Safety Code
 NFPA70 National Electric Code
 OSHA

Warranty

Full 3 year warranty

Catalog Number	
Comments	Type

12-Volt, self-diagnostic with time-delay, sealed lead-calcium or NiCad battery



ACCESSORIES

CLRT	Remote Testing Transmitter
CLMRK	Rough-in Kit
CPCLMRK	Chicago Plenum Listed Rough-in Kit

ORDERING GUIDE

CLM

Series	Capacity	Battery Type	Lamp Wattage	Options
	50 50 Watts	Blank Lead Calcium N Nickel Cadmium	H25 25 Watt Halogen	CP Chicago Plenum Rated XK Less Rough-in Kit ¹

¹ To order rough-in kit only for early installation, add -XK option suffix to CLM model and order CLMRK or CPCLMRK accessory separately.





CLM Series

Mini-Concealed Recessed Emergency Luminaire

SPECIFICATIONS

Electronics

Dual-voltage input of 120/277VAC. Single direction drive allows smooth and trouble-free operation. A bi-color LED indicator provides visible fault detection and AC-On indication. Test switch provides manual activation of a 30-second diagnostic test. Pushing the test button for 4 seconds can also initiate a 90 minute test. An automatic self-test and diagnostic function is performed every 28 days. This consists of a load test for 30 seconds and ensures operation of the lamp, battery and transfer circuit.

Standard Features Include:

- Self-test, self-diagnostics monitors operation of lamps, transfer circuit, battery, battery charger, and door drive
- Brownout protection
- Low voltage disconnect prevents deep discharge of the battery
- Voltage polarity protected
- 15 minute time delay re-transfer
- AC lock-out to prevent battery discharge at installation prior to building power being applied

Operating Temperature Range:

Lead Calcium: 16°C to 32°C (60°F to 90°F)

Nickel Cadmium Battery: 0°C to 38°C (32°F to 100°F)

Overall Carton Size: 24"L x 9.5"W x 7" (Includes Back-Box)

Weight: 17.0 lbs

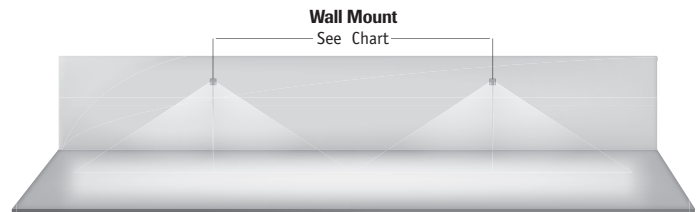
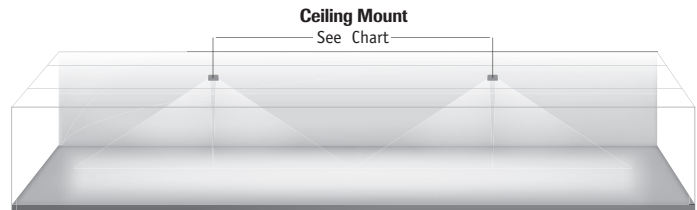
APPLICATION INFORMATION

Recommended center to center unit spacing

Ceiling Mount		
Ceiling Height	Vert. Aiming Angle (Deg)	Unit Spacing Multiple Units
8'	68'	85'
9'	66'	80'
10'	63'	80'
12'	59'	75'
14'	53'	70'

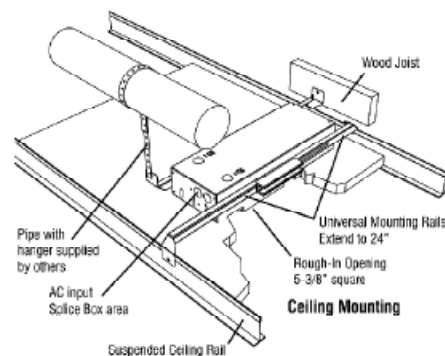
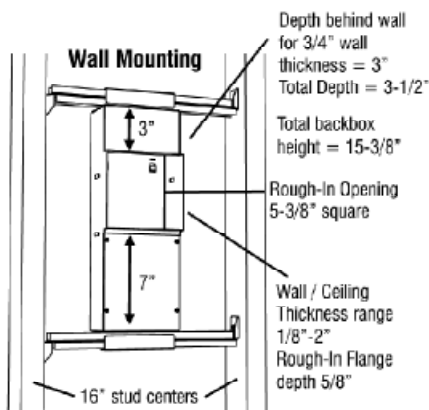
Wall Mount (Angle away from wall: 4 degrees)			
Ceiling Height	Unit/Lamp Height	Vert. Aiming Angle (Deg)	Unit Spacing Multiple Units
9'	7'	70'	85'
10'	8'	68'	85'
12'	10'	63'	80'
14'	12'	59'	75'
16'	14'	55'	70'

PHOTOMETRICS



Meets Life Safety Code minimum illuminance of 0.1 fc and average illuminance of 1.0 fc. Assumes open space with no obstructions and reflectances of 80/50/20. Photometry files available on the Dual-Lite web site (www.dual-lite.com). Based on 4' path of egress.

DIMENSIONS



Hubbell Lighting, Inc.