

DUAL LITE

CVE Series

Contractor Grade Edge-Lit Exit Sign featuring easy installation, field-installed chevron arrows, and energy-saving, long-life LED lamps.

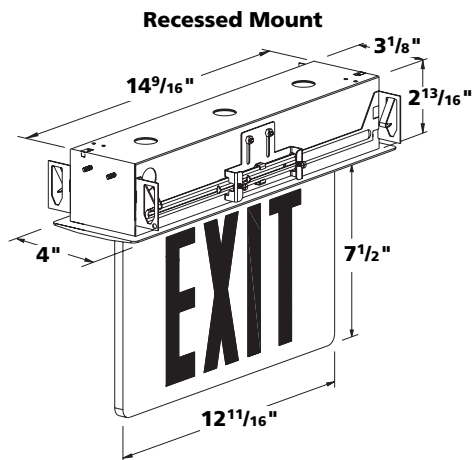
Catalog Number	
Comments	Type



Standard Features

- Single face acrylic plaque with clear background
- Double face acrylic plaque with mirror background
- Red or green letter models
- Field-installed appliqué chevron directional arrows
- Energy-saving operation
- Long-life LED lamps provide over 20 years of service
- Satin finish, extruded aluminum
- Easy installation
- Temperature range: 20°C to 30°C (68°F to 86°F)
- 120/277 VAC, 60 Hz operation
- Fully automatic, solid-state charger
- Maintenance-free, nickel-cadmium battery
- Test switch and AC-On indicator
- UL Listed to Standard 924 (Emergency Lighting)
- 90-minute emergency operation

Dimensions

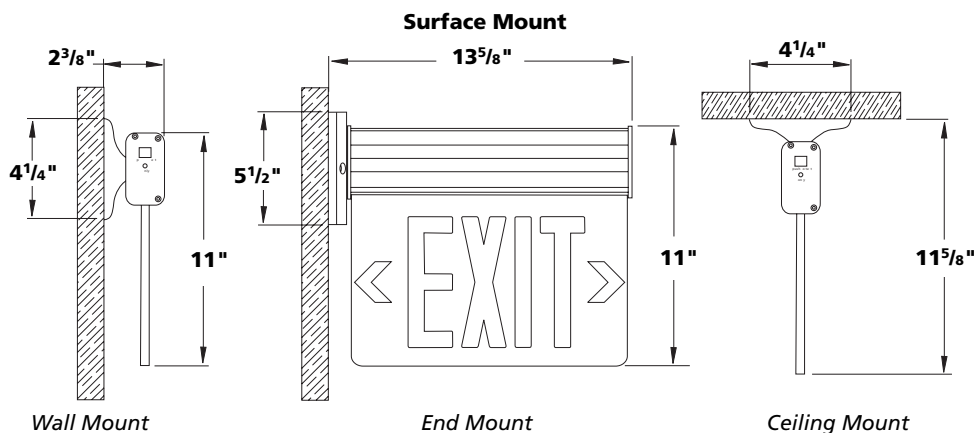


Surface Mounting Features

- Surface (wall, end or ceiling) mounted units provided with canopy

Recessed Mounting Features

- Recessed ceiling mounted units supplied with plug-in transformer mounted in recessed housing
- Recessed housing attaches to building framing members or suspended T-bar ceiling
- Hanger bars extend to a maximum of 24" horizontally and one inch vertically
- Hanger bars can be side-mounted or end-mounted



Hubbell Lighting, Inc.

Construction

Plaque: Acrylic

Standard Plaque Backgrounds

Single Face Models: Optically clear

Double Face Models: Mirror

Housing/Trim: Satin finish extruded aluminum

Exit Face

Letters: 6-inch letters, 3/4" stroke

Directional Arrows: Field-installed chevron type

Installation

Recessed: Adjustable bar hangers for fastening to framing members or suspended T-bar ceilings.

Surface Mount: Mounts to standard 3 1/2" octagon box by means of adapter plate and canopy.

Electronics

Input: 120/277 VAC, 60 Hz

Operating Temperature Range: 20°C to 30°C (68°F to 86°F)

Battery Recharge Cycle: Per UL time standards

Test Means: Integral test switch

Indicators: AC-On LED indicator

Battery

Type: Maintenance-free, nickel-cadmium

Expected Normal Life: 10 years

Power Consumption

	Single Face	Double Face
Red Emergency Model (120/277V)	4.0 watts	4.0 watts
Green Emergency Model (120/277V)	4.5 watts	4.5 watts

Wattage figures include LED lamps, transformers, and electronic power requirements.

Compliances

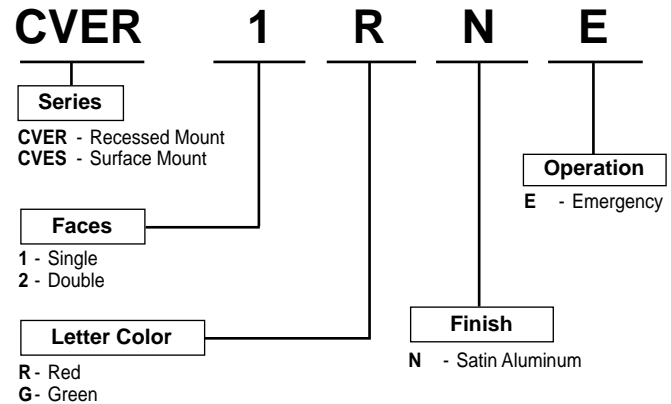
UL 924, NFPA-101

Warranty

Unit and Electronics: 5 years

Battery: 1 year full, 8 years pro-rata (9 years total)

Ordering Guide



Contractor Grade Edge Lit Exit Sign Suggested Specifications

Housing and trim plate will be constructed of aluminum extrusions. Exit face will provide 6" high letters with 3/4" stroke and field-installed, chevron-type directional arrows. Exit sign design will allow universal 120/277 VAC, 60 Hz operation. Normal LED lamp life will be in excess of 20 years. Exits will be (clear, single face) (mirror, double face). All necessary components for surface (wall) (ceiling) (end) mounting applications will be supplied. Recessed mount units will provide a back box with dual hangar bars capable of extending to a max. of 24" and be reconfigurable to the side or end of the box. Components will include a solid-state battery charger; a maintenance-free, nickel-cadmium battery; an AC-On indicator light; and a test switch. The unit charger will be capable of recharging the battery within acceptable UL time standards. The emergency operation module must be capable of providing a minimum of 90 minutes of emergency operation. Exit signs must comply with all UL 924 and NFPA 101 Life Safety Code requirements.