

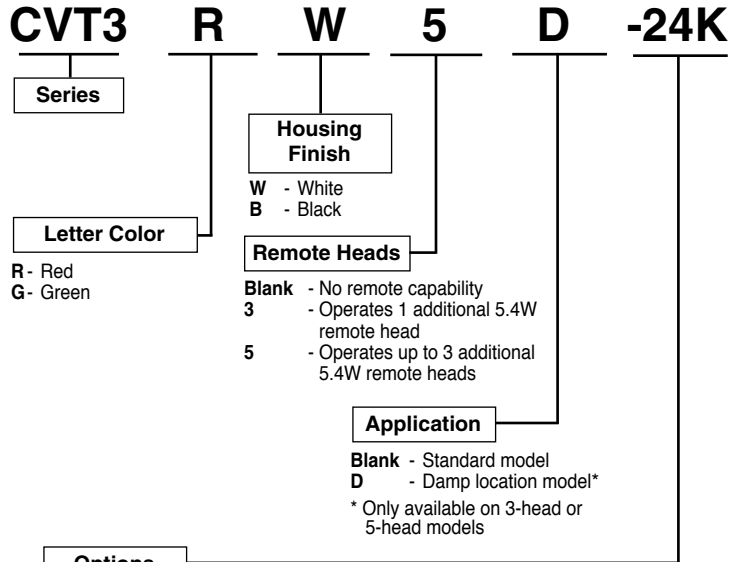


# CVT Series

## Combination LED Exit Sign/ Emergency Lighting Unit



### Ordering Guide



- |   |  |
|---|--|
| <b>I</b> - Spectron® self-diagnostic/self-testing electronics | <b>-FM</b> - Flasher module <sup>(2)</sup>         |
| <b>-FAP</b> - Fire alarm panel interface <sup>(1)(2)</sup>    | <b>-AF</b> - Audible flasher module <sup>(2)</sup> |
|   | <b>-24K</b> - 220/240VAC, 50/60 Hz operation       |

(1) Operates with 24-volt AC or DC fire alarm panels.  
(2) -FAP, -FM, and -AF options may not be specified together.

The CVT thermoplastic combination unit is designed to perform the functions of both an emergency lighting unit and exit sign. CVT models provide style, functionality and ease of installation. The sign offers bright and even LED illumination at the exit location and the emergency unit illuminates the path of egress for 90 minutes as required by the NFPA code.

### Features

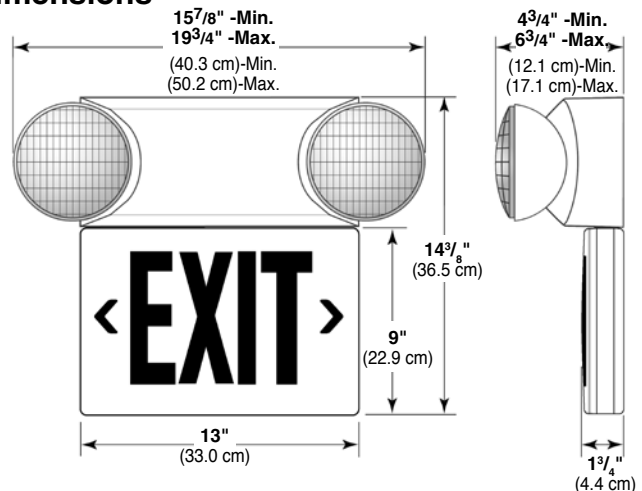
- Factory assembled emergency unit/LED exit sign
- UV-stable thermoplastic housing
- High-output lighting heads
- White or black finishes available
- Damp location listed models available
- 120/277VAC, 60 Hz operation
- Solid-state charger with low-voltage disconnect
- Maintenance-free battery
- Test switch and LED AC-On light
- Long-life LED lamps
- Bright, even illumination
- Universal single/double face
- Red and green letter models
- Snap-in, chevron arrows
- Ceiling or wall mounting
- Temperature range: 20°C to 30°C (68°F to 86°F)
- Damp location models: 10°C to 40°C (50°F to 104°F)
- UL 924 Listed
- Available with Spectron® self-diagnostics/self-testing electronics option

### Accessories

- |               |   |
|---------------|---|
| <b>SRHSW</b>  | Matching remote head - single (white) <sup>(a)(b)</sup> |
| <b>SRHDW</b>  | Matching remote head - twin (white) <sup>(a)(b)</sup>   |
| <b>OMSSB</b>  | Single outdoor lighting head (black) <sup>(a)(b)</sup>  |
| <b>OMSDB</b>  | Twin outdoor lighting head (black) <sup>(a)(b)</sup>    |
| <b>PMLZTB</b> | Pendant mounting kit (black) <sup>(c)</sup>             |
| <b>PMLZTW</b> | Pendant mounting kit (white) <sup>(c)</sup>             |
| <b>WGTW</b>   | Wire guard (Wall mount)                                 |
| <b>WGTC</b>   | Wire guard (Ceiling mount)                              |

(a) Supplied with mounting plate. Specify voltage and wattage when ordering. Example: **SRHDW0607**.  
(b) Replace "W" with "B" for black finish. Example: **OMSDB0607**.  
(c) Not available for use with 5-head models.

### Dimensions



Hubbell Lighting, Inc.

## Specifications

# CVT Series

## Combination LED Exit Sign/Emergency Lighting Unit

### Construction

**Unit:** Housing and back plate constructed of flame-rated, UV stable, ABS thermoplastic

**Lamp Housings:** Constructed of flame-rated, UV stable, thermoplastic

**Exit:** Housing and exit faces constructed of flame-rated, UV stable, ABS thermoplastic

**Finish:** Textured bright white or black

### Illumination

**Unit Lamp Type:** Incandescent

**Unit Lamp Voltage:** 6 volts

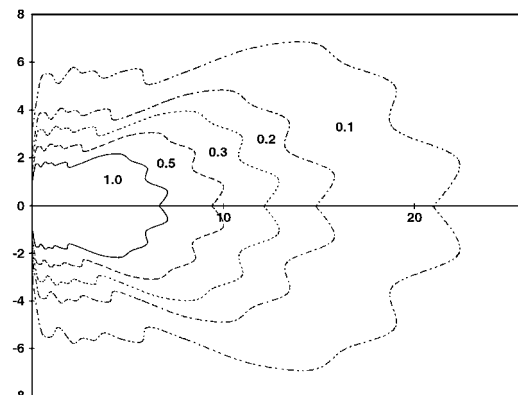
**Unit Lamp Wattage:** 5.4 watts

**Rated Unit lamp life:** 100 hours

**Exit Rated Lamp Life:** In excess of 20 years

### Photometrics

High Output 6Volt, 5.4Watt Incandescent Lamp



### Installation

**Unit Wall Mounting:** Unit mounts to 3<sup>1</sup>/<sub>2</sub>" , 4" octagon, or 4" square outlet boxes and standard plaster rings. Back plate provides a universal knockout pattern for mounting to outlet box. Keyholes provided for securing unit housing to wall surface.

**Ceiling Mounting:** Tandem models may also be ceiling mounted using bracket provided.

**Wiring:** Pre-stripped AC input leads provided. AC connections made inside housing.

### Operating Temperature Range

**Standard Models:** 20°C to 30°C (68°F to 86°F);

**Damp Location Models:** 10°C to 40°C (50°F to 104°F).

### Electronics

**Input:** 120/277VAC, 60 Hz (standard)

**Built-in Protection:** Transformer isolation and low battery voltage disconnect

**Charger:** Solid-state, constant voltage, current limited type

**Transfer:** Solid-state design (Relay transfer on Remote Capacity models)

**Battery Recharge Cycle:** Per UL time standards

**Test Means:** Integral test switch

**Indicators:** LED AC-On indicator

### Battery

**Type:** Maintenance-free lead-acid

### Warranty

	Unit and Electronics	Battery	
		Full	Pro-Rata
Standard Models	3 years	2 years	8 years
Spectron Models	5 years	3 years	7 years

### Suggested Specification

Unit housing construction will be flame-rated, UV stable, ABS thermoplastic in textured (white) (black) finish. Lamp housings shall be constructed of flame-rated, UV stable, thermoplastic in matching finish. Unit design will allow universal 120/277VAC, 60 Hz operation standard. Emergency illumination will be provided by two integral [and (one)(two)(three) remote 5.4-watt] lighting heads. A universal knockout pattern shall be provided in the unit back plate for mounting to 4" square or 3<sup>1</sup>/<sub>2</sub>" and 4" octagon outlet boxes as well as standard plaster rings. Emergency components will include a solid-state, constant voltage, current limited type battery charger, a maintenance-free, lead-acid battery; an AC-On LED indicator light; and a test switch. The unit charger will be capable of recharging the battery within acceptable UL time standards. Emergency operation must be provided for a minimum of 90 minutes.

Exit sign construction will be flame-rated, UV stable, ABS thermoplastic in textured (white) (black) finish to match unit. All parts necessary for universal single and double face applications shall be included as standard. Exit face will provide 6" high letters with 3/4" stroke and snap-out, chevron type directional arrows. Normal AC illumination will be provided by (red) (green) high-output LEDs. Normal expected LED lamp life will be 20 years. Ceiling mounting bracket will be provided with all models and will be of identical color to match the exit frame.

Combination models must comply with all UL 924 (UL Damp Location) and NFPA 101 Life Safety Code requirements. Optional equipment will include:  
Dimensions to be 14<sup>3</sup>/<sub>8</sub>" (365 mm) High x 19<sup>3</sup>/<sub>4</sub>" (502 mm) Wide (max.) x 6<sup>3</sup>/<sub>4</sub>" (171 mm) Deep (max.).