



Emergency model with power pack



ORDERS ACCEPTED
Through 12/31/09

REPLACEMENT PARTS
N/A

ALTERNATE PRODUCT
LX, SE EXIT SIGN SERIES

Ordering Information

Model Number	Description
DKURW	120V, AC-Only, single or twin face – universal mount, white finish
DKURWE	120V, emergency, single or twin face – universal mount, white finish

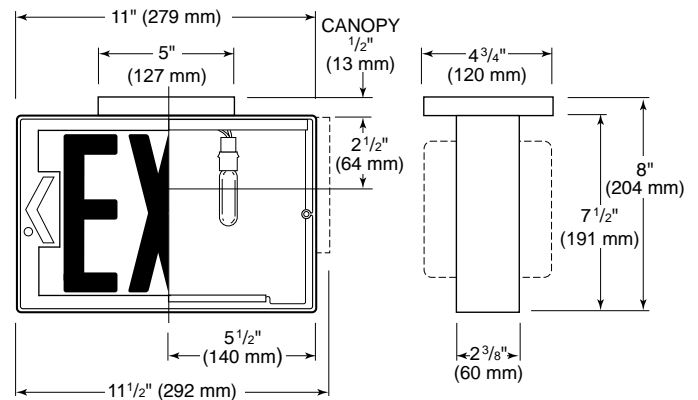
Features

- AC and emergency models
- Thermoplastic housing
- Steel faceplate
- Polyester fiberglass diffuser
- Acrylic downlight lens
- Canopy for ceiling or end mount
- Tamper resistant screws supplied
- Universal directional chevron arrow knockouts
- 120VAC, 60Hz. operation
- AC illumination provided by two 145V, 15T6 incandescent lamps
- White finish
- Red letter models
- Universal single/double face models
- Temperature range: 20°C to 30°C (68°F to 86°F)
- Suitable for damp locations
- UL 924 Listed

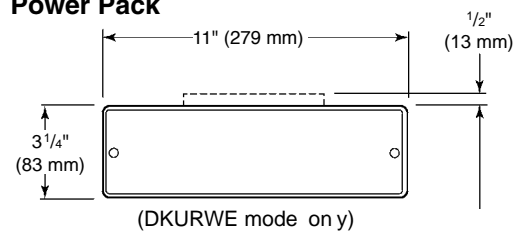
Accessories (order separately)

PMEXW	12" pendant stem and canopy kit – white
WG-MLT	Wire guard (wall mount)
WGLXC	Wire guard (end or ceiling mount)
VRS3	Vandal resistant shield

Dimensions



Power Pack



Construction

Sign: Flame-rated, UV stable thermoplastic housing with matching canopy and steel face(s)

Sign Finish: Bright white

Diffuser: Fiberglass reinforced polyester

Diffuser Color: Red

Face Design

Faceplate: 6" letters, 3/4" stroke

Directional Arrows: Snap-out chevron type

Illumination

AC Lamps: Two 145V, 15T6 incandescent

Rated AC Lamp Life: 5,000 hours

Installation

Mounting: Sign mounts to 3 1/2", 4" octagon, or 4" square outlet boxes and standard plaster rings.

Wall Installations: Back plate provides a knockout pattern for mounting to outlet box. Knockouts provided for securing housing to wall surface.

Ceiling or End Installations: Mounting canopy provided with all models. Canopy mounts to outlet boxes by means of mounting plate supplied.

Wiring: Pre-stripped AC input pigtail leads provided.

Operating Temperature Range

20°C to 30°C (68°F to 86°F)

Electronics

Input: 120VAC, 60 Hz (all models)

Power Consumption (Max)

All Models: 24 Watts

Compliances

Meets general brightness and uniformity standards

Meets industrial damp location requirements

Warranty

Unit and Electronics: 3-years full

Suggested Specifications

Sign housing construction shall be thermoplastic with steel faceplate frame(s) in bright white finish. Signs shall be universal single/double face design and capable of back, ceiling, or end mount installation. Sign face will provide an exit stencil face with red diffuser and feature universal directional knock-out chevrons. Mounting canopies will be provided with all models and will be of identical construction and color to match the unit frame. Signs will be designed to mount to 3 1/2" or 4" octagon, 4" square or standard plaster rings.

DK Series models shall provide 120VAC, 60 Hz operation. Normal AC illumination will be provided by two 145V, 15T6 incandescent lamps with a normal life of 5,000 hours.

Emergency DKURWE models shall be available through an external factory-installed fully automatic emergency operation module. Illumination on emergency models will be provided by two incandescent 6 volt, 3.7 watt DC lamps. All emergency models shall provide universal 120/277VAC, 60 Hz input. A maintenance-free lead-acid battery designed to provide a minimum of 90 minutes of emergency operation in an ambient temperature range of 20° to 30°C to an end voltage of 87.5% of nominal battery voltage will be provided. Charger shall be solid state design and feature an AC status indicator and integral test switch. The unit charger will be capable of recharging the battery within acceptable time standards

All DK Series models will provide sufficient lumen output and uniformity to satisfy general exit sign requirements. DK Series models shall also be suitable for damp locations.

Accessory equipment will include: _____

Dimensions to be (7 1/2" (191 mm) high x 11" (279 mm) wide x 2 3/8" (60 mm) deep.

Add 1/2" (13 mm) for canopy if required.