



EZ-2™ Series

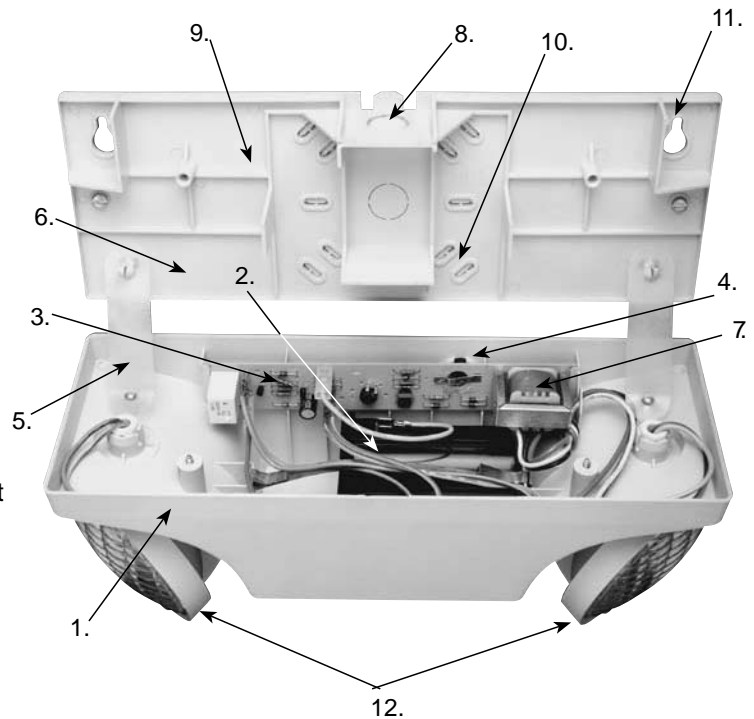
Decorative and efficient emergency lighting unit designed for fast, easy installation.

Catalog Number	
Comments	Type



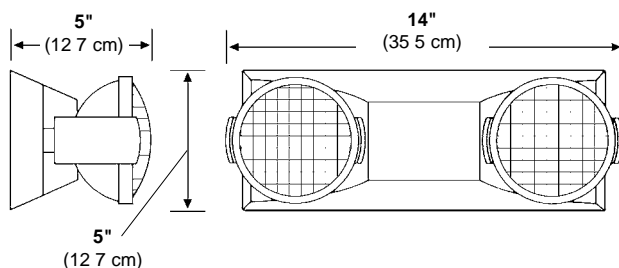
Features

- Designed for fast, easy wall mounted applications
- Fully automatic, 90-minute operation
- Compact, low-profile design
- Flame-rated, thermoplastic housing
- Universal mounting plate
- Bright white textured finish
- Snap-together design with security screws
- Mounts to electrical boxes up to 4" square
- Fully adjustable, glare-free lighting heads
- Fully automatic solid-state charger
- Maintenance-free battery
- Universal transformer for 120/277VAC operation
- Built-in protection includes low-voltage battery disconnect and transformer isolation
- Low power consumption
- Combination test switch/charge indicator light
- Operating Temperature Range
 - Standard models: 20° to 30°C (68°F to 86°F)
 - Damp location model: 0° to 40°C (32°F to 104°F)
- Damp Location Listed model available
- Spectron self-testing/self-diagnostic model available
- Optional vandal-resistant shields
- UL 924 Listed (Emergency Lighting)



1. High-impact, UV stable thermoplastic housing
2. Maintenance-free battery
3. Environmentally coated, solid-state charger
4. Pilot light and test switch
5. Nylon hinges free hands for easier installation
6. Snap-together construction
7. Universal transformer (120/277VAC operation)
8. Surface wiring knockout
9. Mounting plate
10. Universal mounting pattern
11. Keyhole wall mounting slots
12. Recessed lighting head assemblies

Dimensions



Hubbell Lighting, Inc.

Specifications

EZ-2™ Series

Emergency Lighting Units

Construction

Unit: Housing and back plate constructed of flame-rated, UV stable, thermoplastic

Lamp Housings: Constructed of flame-rated, UV stable, thermoplastic

Finish: Textured bright white

Illumination

Lamp Type: Incandescent

EZ-2, EZ-2V and EZ-2D Models: 6 volts, 5.4 watts

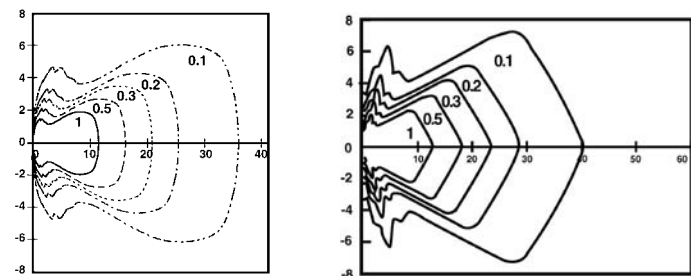
EZ-2I Model: 6 volts, 7.2 watts

Rated lamp life: 100 hours

Photometrics

6V, 5.4W Incandescent Lamp

6V, 7.2W Incandescent Lamp



(Horizontal Isofootcandle Distribution)

Installation

Unit Wall Mounting: Unit mounts to 3¹/₂" , 4" octagon, or 4" square outlet boxes and standard plaster rings. Back plate provides a universal knockout pattern for mounting to outlet box. Keyholes provided for securing unit housing to wall surface.

Wiring: Pre-stripped AC input leads provided. All AC connections made inside unit housing.

Operating Temperature Range

Standard Models: 20° to 30°C (68°F to 86°F)

Damp Location Model: 0° to 40°C (32°F to 104°F)

Electronics

Input: 120/277VAC, 60 Hz. (standard)

Built-in Protection: Transformer isolation and low battery voltage disconnect

Charger: Solid-state, constant voltage, current limited type

Transfer: Solid-state design

Battery Recharge Cycle: Per UL time standards

Test Means: Integral test switch

Indicators: AC-On indicator

Battery

Type: Maintenance-free

Power Consumption

Maximum: 3.5 watts at 120 or 277VAC

Normal: 1.3 watts at 120 or 277VAC

Compliances

UL 924 (all models)

NFPA-101 (all models)

UL Damp Location Listed (EZ-2D model only)

Warranty

EZ-2, EZ-2V and EZ-2D Models:

Unit and Electronics: 3 years full

Battery: 3 years full, 3 years pro-rata (6 years total)

EZ-2I Model:

Unit and Electronics: 5 years full

Battery: 5 years full, 5 years pro-rata (10 years total)

Product Selector

Unit Models

EZ-2	Two-headed decorative unit
EZ-2V	Two-headed decorative unit with voltmeter
EZ-2D	Damp location two-headed decorative unit
EZ-2I	Spectron self-testing/self-diagnostic unit

Options and Accessory Items

Option Description	Add Suffix to Model No.
Auxiliary AC Line Cord (120V)	-A21
Accessory Item	Order Model No.
Vandal-Resistant Shield	VRS
Wire Guard	WGEL

Suggested Specification

Unit housing construction will be flame-rated, UV stable, thermoplastic in textured white finish. Lamp housings shall be constructed of flame-rated, UV stable, thermoplastic in matching finish. Unit design will allow universal 120/277VAC, 60 Hz operation standard. Emergency illumination will be provided by two integral 6-volt, (5.4)(7.2)-watt high-output lighting heads. Units shall be designed to mount to 3¹/₂" or 4" octagon, 4" square or standard plaster rings. A universal knockout pattern shall be provided in the unit back plate for mounting to utility boxes. Emergency components will include a solid-state, constant voltage, current limited type battery charger; a maintenance-free battery; an combination AC-On indicator light; and test switch. The unit charger will be capable of recharging the battery within acceptable UL time standards. Emergency operation shall be provided for a minimum of 90 minutes. Units must comply with all UL 924 (UL Damp Location) and NFPA 101 Life Safety Code requirements.

Optional equipment will include: _____

Dimensions to be 5" (12.7 cm) high x 14" (35.5 cm) wide x 5" (12.7 cm) deep.