

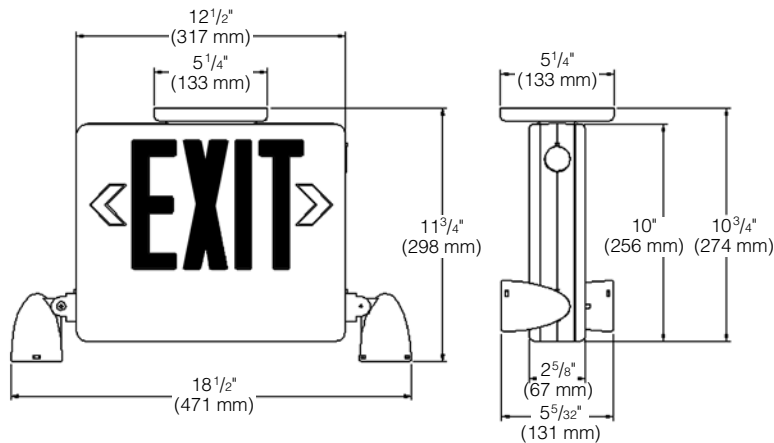


Features

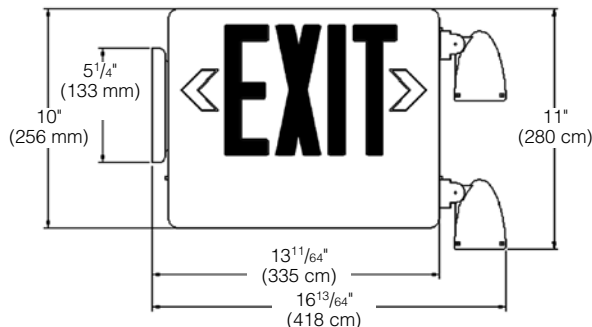
- LED exit sign
- UV stable thermoplastic housing
- Standard model supplied with two 5w lamps
- Additional 12 watts of power available with remote capacity models (with or without heads)
- Removable/reconfigurable high output MR16 halogen lampheads
- 33% improved illumination over standard incandescent
- White and black finishes
- 120/277VAC 60 Hz operation
- Solid state charger
- Maintenance free battery
- Low voltage disconnect
- Test switch and AC-On light
- Bright even illumination
- Universal single/double face
- Red and green letter models
- Snap-in chevron arrows
- Ceiling, wall or end (universal) mount models standard
- Temperature range: 20°C to 30°C (68°F to 86°F)
- UL 924 Listed (Emergency Lighting)
- Meets NFPA 101 illumination levels at 24' spacing
- Optional matching indoor and outdoor remote heads

Dimensions

(Ceiling or Back Mount)



(End Mount)



Also available in black finish



Specifications

Construction

Unit: Housing constructed of flame-rated, UV stable, ABS thermoplastic

Lamp Housings: Constructed of flame-rated, UV stable, ABS thermoplastic

Finish: Textured white or black

Illumination

Unit Lamp Type: MR16

Unit Lamp Voltage: 6 volts

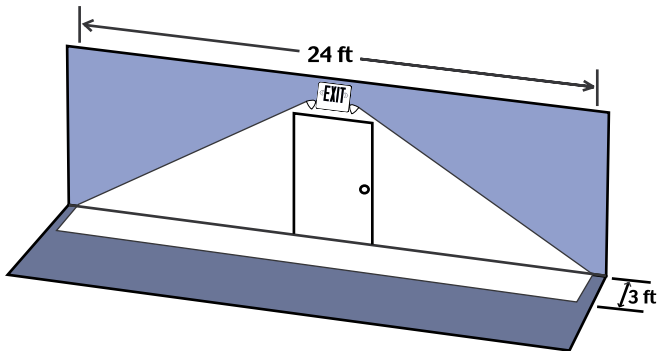
Unit Lamp Wattage: 5 watts

Rated Unit lamp life: 100 hours

Exit Rated LED Life: In excess of 20 years

Photometrics

High Output 6 Volt, 5 Watt Halogen Lamp



Mounted at 7'-6" high, a single unit produces 1 FC average with a 3' wide path 24' long. Meets NFPA Life Safety Code illuminance.

Assumes open space with 80/50/20 reflectance values.

Actual results may vary.

Installation

Ceiling/Back/End Models

Wall Mounting: Mounts to 3 1/2", 4" octagon, or 4" square outlet boxes and standard plaster rings. Back plate provides a universal knockout pattern for mounting to outlet box. Keyholes provided for securing unit housing to wall surface.

Ceiling/End Mounting: Use canopy and universal mounting plate provided.

Wiring: Pre-stripped AC input leads provided. AC connections made inside housing.

Operating Temperature Range

20°C to 30°C (68°F to 86°F)

Battery

Type: Maintenance-free

Power Consumption

4.5 watts at 120 or 277VAC (all models)

Compliances

UL 924, NFPA-101, NEC

Limited Warranty

Description	Warranty In Years		
	Unit Full	Battery	
		Full	Pro-Rata
HCX Series (All Models)	5	1	5

Dual-Lite • www.dual-lite.com

A Hubbell Lighting, Inc. brand with representatives' offices in principal cities throughout North America.

Copyright © Hubbell Lighting, Inc. All Rights Reserved • Specifications subject to change without notice. • Printed in U.S.A. 0603281_B 10/09

HCX Series

Combination LED Exit/Emergency Light

Product Selector

Standard Models	Remote Capacity Models With Lamp Heads	Remote Capacity Models Without Lamp Heads	Letters	Housing
HCXURW	HCXURWRC12	HCXURW-0-RC12	Red	White
HCXUGW	HCXUGWRC12	HCXUGW-0-RC12	Green	White
HCXURB	HCXURBRC12	--	Red	Black
HCXUGB	HCXUGBRC12	--	Green	Black

Accessories (Order separately)

Wire guard (wall or ceiling mount)

Matching Indoor Remote Heads



Matching Outdoor Remote Heads



41G

CPRSW0605

Single White

CPRDW0605

Double White

CPRSB0605

Single Black

CPRDB0605

Double Black

OCSRW0605

Single White

OCRDW0605

Double White

OCSRB0605

Single Black

OCRDB0605

Double Black

OCSRZ0605

Single Dark Bronze

OCRDZ0605

Double Dark Bronze

Electrical Specifications

Lamp Description	Supply Voltage	Input Power	Max Input Current	Max Lamp Power	Max Remote Lamp Power
RED LED, Standard Cap.	120V	4.5W	0.044A	10W	--
Red LED, Standard Cap.	277V	4.5W	0.020A	10W	--
Green LED, Standard Cap.	120V	4.5W	0.044A	10W	--
Green LED, Standard Cap.	277V	4.5W	0.020A	10W	--
Red LED, Remote Cap.	120V	4.5W	0.044A	10W	12W
Red LED, Remote Cap.	277V	4.5W	0.020A	10W	12W
Green LED, Remote Cap.	120V	4.5W	0.044A	10W	12W
Green LED, Remote Cap.	277V	4.5W	0.020A	10W	12W

Suggested Specification

Self contained emergency light/exit constructed of flame-rated, UV stable, ABS injection molded in (white)(black) thermoplastic shall feature modular snap together construction requiring no mechanical fasteners for installation. Lamp housings shall be constructed of flame-rated, ABS stable, in matching finish. Unit shall be designed for (ceiling/back)(end) mounting. Emergency light/exit shall be rated 120/277VAC, 60Hz and shall comply with UL924 requirements. Universal directional chevrons shall be provided. Normal and emergency exit illumination shall be provided by an LED Lite Strip consuming less than 1.8 watts for single or twin face models. A maintenance free battery shall be integral to the exit housing and will operate the unit for 1 1/2 hours to an end voltage of 87.5% of nominal battery voltage. Ambient operating temperature range shall be 20° to 30°C (68°F to 86°F). External high impact thermoplastic lighting heads will utilize 5 watt MR16 type lamps and shall be fully directional. Electronics shall include a solid state charger with regulated charge voltage, current limitation, and low voltage disconnect. An "AC-ON" pilot light and test switch shall be provided standard. Units shall be designed to mount to 3 1/2", 4" octagon, 4" square or standard plaster rings. Exit face will provide 6" high letters with 3/4" stroke and snap-out, chevron type directional arrows.

Optional equipment will include: _____

Dimensions to be 10.8" (27.4 cm) high x 18.5" (47 cm) wide x 2 5/8" (6.7 cm) deep (max.).