



LAMPAK® UFO-7W

Emergency Lighting Fluorescent Battery Pack

Catalog Number	
Comments	Type



Standard and self-testing models

- Standard and Spectron self-testing/self-diagnostic models offered.
- Compatible with electronic, standard magnetic, energy saving, dimming and end-of life AC ballasts
- Compatible with most standard 2 - 8 foot, T8, T9, T10 or T12, fluorescent lamps without integral starters, including U-shaped, HO, VHO, circline, energy saving, and rapid-start (4-pin) long compact fluorescent lamps
- Easy installation with versatile mounting capability on top of or remote from fixture
- Operates one or two lamps in emergency mode depending on fixture
- Can be used with switched or unswitched lighting fixtures
- Battery case made of heavy 22-gauge steel
- Reliable, high-frequency inverter
- Premium sealed nickel-cadmium battery
- Universal 120/277VAC operation
- Test switch and LED charge indicator light supplied standard
- Provides 90 minutes of emergency lighting
- Low power consumption
- Temperature range: 0°C to 40°C (32°F to 104°F)
- UL 924 Listed (Emergency Lighting)
- UFO-7WI Model UL 924 Damp Location Listed

Product Selector

Fixt Type	Model Number	Description	Init. Lumen Output
	UFO-7W	Emergency Fluorescent Pack	1450-3500
	UFO-7WI	Self-testing Spectron® model	1800-3500
(√)	Accessories (order separately)		
	F-WC	Wiring bundle cover ⁽¹⁾	
	SPRTS	Remote test switch/charge indicator module ⁽²⁾	

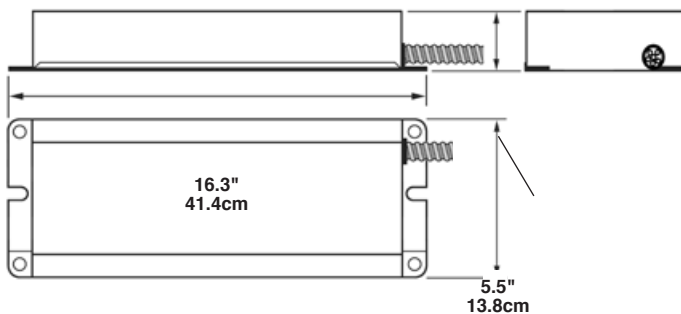
(1) Encloses exposed wiring harness when power pack is externally mounted on the lighting fixture. One required per fixture.

(2) Fits single-gang box.

Application

The Lampak Series UFO-7W emergency ballasts work in conjunction with a fluorescent fixture's normal AC ballast to convert new or existing fluorescent fixtures for emergency lighting operation. The emergency ballast consists of a high-temperature nickel-cadmium battery, charger and electronic circuitry in a compact metal case. All UFO-7W models are compatible with most 17W through 215W (2' - 8') T8, T9, T10, or T12 fluorescent lamps and will also operate 4-pin twin, quad and triple twin tube compact fluorescent lamps. All UFO-7W models are compatible with most 1, 2, 3, and 4-lamp electronic, standard magnetic, energy saving, and dimming AC ballasts. If used in an emergency-only fixture, no AC ballast is necessary. See Table 1 below for lamp operating specifications. For information about specific lamps and ballast compatibility, please contact the factory.

Dimensions



Lamp Diameter	Base Type	Power (Length)	No. of Lamps Operated (Emerg.)
(1", 1 1/8", 1 1/4", 1 1/2") T8, T9, T10, T12	Single or Bipin	17 - 40W (2' to 4')	1 or 2
		40 - 215W (5' to 8')	1
Long	4-Pin	18 - 39W	1 or 2
Compact	(2G11)	40 - 55W	1
Compact	4-Pin (G24q, GX24q)	18 - 42W	1 or 2

* Partial listing of lamps operated



Hubbell Lighting, Inc.



LAMPAK® UFO-7W

Emergency Lighting Fluorescent Battery Pack

Description

Dual-Lite LAMPAK Series emergency fluorescent power packs are designed to be connected to planned or existing fluorescent fixtures, eliminating the need to install additional emergency lighting units. All unit housings are constructed of 22 gauge sheet metal finished in black enamel. The unit contains a solid-state charger with automatic transfer circuit, test switch, LED charge indicator light, a dependable, high-frequency inverter and a high-temperature, nickel-cadmium battery. LAMPAK emergency fluorescent power packs are supplied with connection leads of sufficient length to accommodate all standard applications.

Weight: UFO-7W - 8.7 lbs (3.9 kg), UFO-7WI - 9.2 lbs (4.1 kg)

Dimensions: 16.3" (41.4cm) L by 5.5" (13.8cm) W by 1.7" (4.4cm) H

Applications

All UFO-7W models are compatible with most 17W through 215W (2' - 8') T8, T9, T10, or T12 fluorescent lamps without integral starters, including U-shaped, HO, VHO, circline and energy saving, fluorescent lamps. UFO-7W and UFO-7WI models will also operate rapid start, 4-pin twin, quad and triple twin tube compact fluorescent lamps. All UFO-7W Series models are compatible with most 1, 2, 3, and 4-lamp electronic, standard magnetic, energy saving, and dimming AC ballasts. If used in an emergency-only fixture, no AC ballast is necessary.

Illumination

Initial emergency lighting output is 1450-3500 lumens on UFO-6W and UFO-6WI models. Emergency lumen output will be less with a compact fluorescent lamp.

See Table 2 below for lamp output specifications for UFO-7W and UFO-7WI models.

Table 2*			Table 2* (Continued)		
Lamp Type	Lumens		Lamp Type	Lumens	
	1 Lamp	2 Lamps		1 Lamp	2 Lamps
FO25, FBO24 T8	2250	2600	PL-L 36W, F39/36BX	2900	3500
FO32, FBO31 T8	3000	3000	Dulux L 39W		
FO40 T8	2400	--	PL-T 42W/4P	3200	3500
FO96 T8	3000	--	PL-L 40W, F40/30BX F50BX, Dulux L 55W	1800	--
F40 T12, F40/U	3000	3000	F28 2D/4P	2050	2800
F40 T12ES (34W)	2700	2700	F38 2D/4P	1450	2800
F48 T12/HO	3000	--	FP24 T5	1400	--
F96 T12	2800	--			
F96 T12/HO	2900	--			
F96 T12/VHO	3300	--			
PL-L 24W, F27/24BX	1800	2300			
Dulux L 27W					

* Partial listing of lamps operated. Initial lumen output measured at 25°C ambient temperature.

Operation

UFO-7W Models:

UFO-7W emergency fluorescent power packs are designed to provide a minimum of 90 minutes of emergency lighting to one or two lamps in commercial or industrial fixtures. Operation is fully automatic. A solid-state charger maintains the battery at full charge as long as utility power is present. Upon interruption of utility power, the unit will activate and the automatic transfer circuit will switch to the emergency mode, keeping one lamp illuminated at a reduced lumen output for a minimum of 90 minutes. Upon restoration of utility power, UFO-7W emergency power packs automatically switch off emergency power and begin to recharge the battery to full capacity. Full battery recharge is accomplished within acceptable UL time standards. A test switch and LED charge indicator light is provided with all models for testing and monitoring of unit performance. Universal input allows operation from either 120 or 277VAC.

UFO-7WI Spectron Models:

During normal operation, the UFO-7WI Spectron self-testing/self-diagnostic model constantly monitors charging current and battery voltage. When AC power fails, the UFO-7WI immediately switches to the emergency mode, keeping either one or two lamps illuminated at reduced lumen output for a minimum of 90 minutes. When AC power is restored, the UFO-7WI automatically returns to the charging mode. During automated testing cycles, the UFO-7WI simulates an AC power failure causing the emergency ballast to switch to

emergency mode and conduct a discharge test to monitor battery voltage and discharge current. If the UFO-6WI detects a problem, the status indicator light flashes and, if selected, the audible alarm sounds. When testing is complete, the UFO-7WI automatically tests emergency lighting for 30 seconds every 30 day and 90 minutes once a year. Full battery recharge is accomplished within acceptable UL time standards. A test switch and LED status indicator light is provided with all models for testing and monitoring of unit performance. Universal input allows operation from either 120 or 277VAC.

Maximum Power Consumption:

Models UFO-7W and UFO-7WI: 8.0 watts

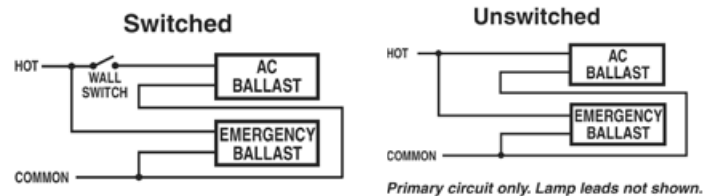
Battery

Type: Maintenance-free nickel-cadmium (all models)

Installation

LAMPAK UFO-7W Series emergency power packs do not affect normal fixture operation and may be used with either switched or unswitched fixtures. If a switched fixture is used, an unswitched hot lead must be connected to the emergency ballast. The emergency ballast must be fed from the same branch circuit as the AC ballast. UFO-7W Series models may be installed on top of, or remote from the fixture. The emergency ballast may be remotely installed up to half the distance from the lamp the AC ballast manufacturer recommends, or up to 50 feet, whichever is less.

UFO-7W Series emergency power packs are not suitable for installation in heated air outlet fixtures and wet or hazardous location fixtures. Installation is not recommended with fixtures where the ambient temperature may fall below 0°C (32°F).



Operating Temperature Range: 0°C to 40°C (32°F to 104°F)

Warranty

Unit and Electronics: 5 years full (all models)

Battery: 5 years full (all models)

Suggested Specification

Emergency lighting shall be provided by using standard fluorescent fixtures equipped with Dual-Lite LAMPAK Series model (UFO-7W)(UFO-7WI) emergency power pack. The unit shall consist of a maintenance-free, high-temperature, nickel-cadmium battery; an automatic charger with transfer circuit, a high-frequency inverter enclosed in a compact 22 gauge steel case finished in black, a test switch and an LED (charge)(status) indicator light. The unit shall be capable of operating (one)(two) _____ W, _____ foot (T8) (T10) (T12) fluorescent lamp or 4-pin long compact (twin)(quad)(triple twin) fluorescent lamp at reduced illumination in the emergency mode for a minimum of 90 minutes. The LAMPAK unit shall provide an initial emergency lighting output of _____ lumens. Battery recharge following emergency operation shall be accomplished within acceptable UL time standards. Universal input will allow operation from 120 or 277VAC sources. Input power requirements will be (4.0)(12.0) watts. (During normal operation the Spectron self-testing/self-diagnostic UFO-7WI model will constantly monitor charging current and battery voltage. During automated testing cycles, the UFO-7WI will simulate an AC power failure causing the emergency ballast to switch to emergency mode and conduct a discharge test to monitor battery voltage and discharge current. If the UFO-7WI detects a problem, the status indicator light shall flash and, if selected, the audible alarm will sound. When testing is complete, the UFO-7WI shall automatically test emergency lighting for 30 seconds every 30 day and 90 minutes once a year). The unit shall be UL listed and may be mounted inside, on top of, or remote from the fixture. Dimensions shall be 16.3" (41.4cm) L by 5.5" (13.8cm) W by 1.7" (4.4cm) H. Unit warranty shall be for 5 full years.