

DUAL LITE

NYXC Series

All metal emergency lighting unit/exit signs combinations designed to meet New York City specifications

Catalog Number	
Comments	Type



Features

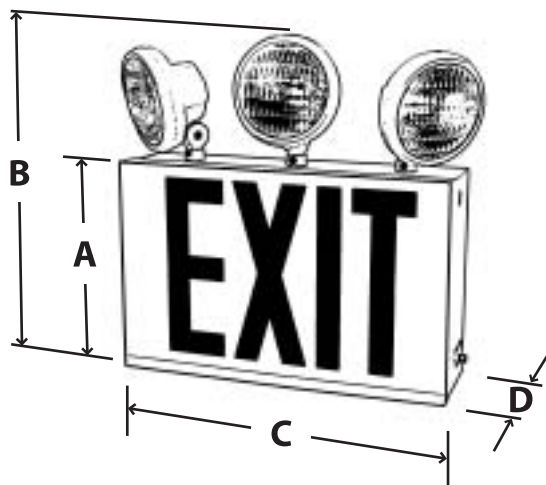
- Factory assembled emergency lighting unit/LED exit sign
- Completely self-contained
- Heavy duty 20 gauge metal enclosure
- White or black finishes available
- Mounts to electrical boxes up to 4" square
- 120/277VAC, 60 Hz operation standard
- All models operate for a minimum of 90 minutes
- Operating Temperature Range:
0° to 40°C (32°F to 104°F) - standard models
- Wall mounting
- Environmentally coated, fully automatic solid-state charger
- Charge rate indicator and test switch
- Automatic low-voltage battery disconnect
- Maintenance-free battery
- Listed to UL 924

Unit

- Available with two or three thermoplastic glare-free 7.2 watt lighting heads
- Fully adjustable and lockable lighting heads

Exit

- Eight inch high "EXIT" legend
- High output LED lamps
- Bright, even exit face illumination
- Single or double face models available
- Red letters
- Knockout directional chevron arrows



A	B	C	D
9 ⁵ / ₈ "	15 ¹ / ₂ "	15"	4 ¹ / ₄ "
24.4 cm	39.4 cm	38.1 cm	10.8 cm

Also available in black finish



Hubbell Lighting, Inc.

Construction

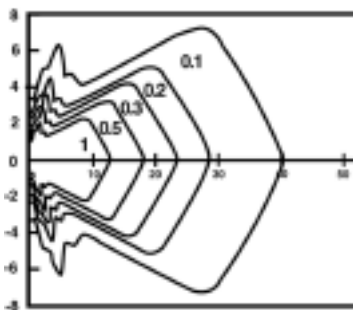
Unit: Heavy duty 20 gauge metal enclosure
Lamp Housings: Constructed of flame-rated, UV stable thermoplastic
Exit: Housing and exit faces constructed of heavy duty 20 gauge metal
Finish: White or black

Illumination

Unit Lamp Type: Incandescent wedge base
Unit Lamp Voltage: 6 volts
Unit Lamp Wattage: 7.2 watts
Exit Rated Lamp Life: Long life LED lamps
Exit Illumination Uniformity: Meets UL requirements

Photometrics

Incandescent 6V, 7.2W Lamp
 (Horizontal Isofootcandle Distribution)



Installation

Unit Wall Mounting: Unit mounts to 3 1/2" octagon or 4" square outlet boxes and standard plaster rings.
Wiring: AC connections made inside housing.

Operating Temperature Range

0° to 40°C (32°F to 104°F)

Electronics

Input: 120/277VAC, 60 Hz
Built-in Protection: Low battery voltage disconnect
Charger: Constant voltage
Transfer: Solid-state design
Battery Recharge Cycle: Per UL time standards
Test Means: Integral test switch
Indicators: Charge rate

Battery

Type: Maintenance-free

Power Consumption

120VAC: 7.0 watts
277VAC: 7.2 watts

Warranty

Unit and Electronics: 5 years full
Battery: 1 year full, 5 years pro-rata

Product Selector

Two-Head Model Nos.	Three-Head Model Nos.	Colors		Description
		Exit Letters	Unit/Exit Housing	
NYXCSRWE2	NYXCSRWE3	Red	White	Combination unit/ single face exit
NYXCDRWE2	NYXCDRWE3	Red	White	Combination unit/ double face exit
NYXCSRBE2	NYXCSRBE3	Red	Black	Combination unit/ single face exit
NYXCDRBE2	NYXCDRBE3	Red	Black	Combination unit/ double face exit

Option Descriptions	Add Suffix To Model No.
12 Watt Lamps	-0612 (1)
Tamper Resistant Option	-TR (2)
Accessory Items	Order Model No.
Wire Guard	40G

(1) 12 Watt high-output lamps available on two-headed models only
 (2) Provides two stainless steel tamper resistant locking screws

Compliances

Listed to UL 924, NFPA 101

Suggested Specification

Tandem models must be designed to meet code requirements of the city of New York. Unit housing construction will be heavy 20 gauge metal in a white or black finish. Lamp housings shall be constructed of flame-rated, UV stable, thermoplastic in matching finish. Unit design will allow universal 120/277VAC, 60 Hz operation standard. Emergency illumination will be provided by (two) (three) 7.2-watt incandescent lighting heads. Units shall be designed to mount to 3 1/2" octagon or 4" square or standard plaster rings. Emergency components will include a solid-state, constant voltage battery charger; a maintenance-free battery; a charge rate indicator light; and a test switch. Emergency operation must be provided for a minimum of 90 minutes. Exit sign construction will be heavy 20 gauge metal in a white or black finish to match unit. Installation shall accommodate single and double face application. Exit face will provide 8" high letters with 3/4" stroke. Knockout, chevron type arrows will be provided to allow left, right or dual directional indication. Normal AC illumination will be provided by red high-output LEDs. During normal utility operation, the LEDs illuminates the sign and the unit's solid-state charger constantly maintains the battery at full capacity. Upon loss of normal power, the charger's transfer circuit automatically switches the unit to emergency operation. DC lamp emergency illumination is provided for 90 minutes. During extended power outages the unit's battery is protected from deep discharge damage by an automatically low voltage circuit, which disconnects the battery from the load when it reaches 87.5% of its nominal capacity. On restoration of normal power, the charger will begin a recycle charge. The battery will be brought to full capacity within acceptable UL time standards. All models must comply with all NFPA 101 Life Safety Code requirements. Optional equipment will include: _____

Dimensions to be 15 1/2" (39.4 cm) high x 15" (38.1 cm) wide x 4 1/4" (10.8 cm) deep (max.).